

Type
NBC54
and
NEF54
**Agricultural Building
Ventilator**

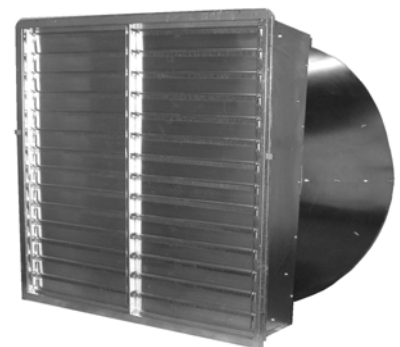
Efficiency

American Coolair is proud to introduce the 54" fan line... our most energy efficient fans yet! With several models boasting over 30 CFM per Watt, the NBC54 and NEF54 models have been engineered to meet your large volume ventilation needs while keeping energy costs at a minimum.

Durability

The NBC54 and NEF54 both feature all-galvanized steel construction for the ideal blend of strength and corrosion resistance. The sturdy cross-frame drive support design insures years of trouble-free operation.

The NBC54 and NEF54 also feature American Coolair's unique captured bearing arrangement which allows the blade hub to also serve as the driven sheave. Placing the belt load directly over the bearings greatly extends the life of the bearings.



P.O. BOX 2300 JACKSONVILLE, FLORIDA 32203
PHONE (904) 389-3646 FAX (904) 387-3449
E-MAIL – agfans@coolair.com
WEB – www.coolair.com

PERFORMANCE RATINGS

The performance ratings listed below were obtained through testing by the Bioenvironmental and Structural Systems Lab (BESS Lab) at the University of Illinois. All fans were tested with a shutter and discharge guard, and discharge cone. The fan housing was mounted flush to the test chamber face, as in an actual building installation. Power measurements were taken on the fan/motor combination and include motor efficiency and drive losses.



Fan Model	Motor HP	BESS Test #	RPM @ 0.05"	Performance at Static Pressure									
				0.00"		0.05"		0.10"		0.15"		0.20"	
				CFM	CFM/W	CFM	CFM/W	CFM	CFM/W	CFM	CFM/W	CFM	CFM/W

NBC Fan, Slope Wall Housing, Aluminum Shutter, Discharge Cone, & Guard

MNBCE54L	1	10239	401	27,300	33.6	25,300	29.0	23,300	25.6	20,800	22.0	17,500	18.2
MNBCC54L	1	10238	430	29,300	29.6	26,900	25.6	25,600	23.0	23,200	20.2	20,600	17.5
MNBCE54M	1-1/2	10236	462	31,600	26.5	29,800	23.7	28,100	21.5	26,100	19.3	24,000	17.3
MNBCC54M	1-1/2	10237	485	33,100	24.5	31,600	22.4	29,800	20.2	28,000	18.4	25,900	16.5
MNBCE54L Δ	1	10240	405	27,600	35.8	25,600	31.0	23,700	27.2	21,200	23.6	18,100	19.8
MNBCC54L Δ	1	10241	436	29,700	31.2	27,900	27.6	26,000	24.3	24,100	21.8	21,400	18.9
MNBCE54M Δ	1-1/2	10242	466	31,800	28.3	30,200	25.3	28,400	22.7	26,500	20.4	24,500	18.4
MNBCC54M Δ	1-1/2	10243	491	33,500	25.7	31,900	23.2	30,200	21.0	28,600	19.2	26,600	17.5

NEF Fan, Slope Wall Housing, Aluminum Shutter, Discharge Cone, & Guard

MNEFCE54L	1	10251	424	25,700	34.1	24,100	29.8	21,600	24.8	19,200	21.4	15,400	16.0
MNEFC54L	1	10252	457	27,700	31.9	26,100	27.7	24,000	23.9	22,200	21.0	18,500	16.4
MNEFCE54M	1-1/2	10255	487	29,400	27.5	27,900	24.5	26,000	21.5	24,200	19.2	22,400	17.1
MNEFC54M	1-1/2	10256	515	30,400	24.7	29,100	22.6	27,700	20.5	25,700	18.1	23,900	16.3
MNEFCE54L Δ	1	10250	428	25,800	36.3	24,500	32.6	22,300	27.7	20,300	23.9	16,300	17.9
MNEFC54L Δ	1	10247	461	28,000	33.5	26,400	29.3	24,300	24.9	22,000	21.2	19,400	18.0
MNEFCE54M Δ	1-1/2	10246	494	29,800	30.1	28,400	26.6	26,800	23.7	24,700	20.7	22,400	17.9
MNEFC54M Δ	1-1/2	10244	520	30,500	25.9	29,100	23.3	27,900	21.4	26,100	19.2	24,700	17.7

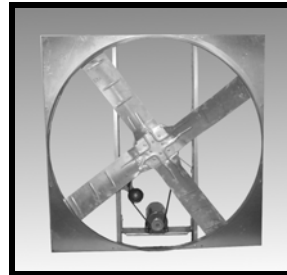
Δ -- 3-Phase

NBC

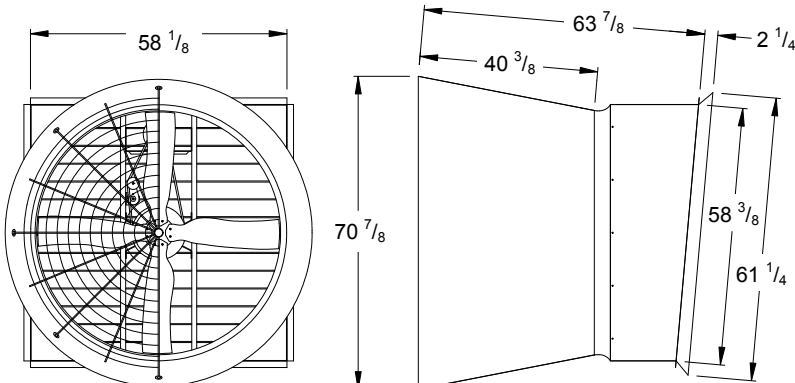


For maximum airflow, the NBC is unsurpassed. Featuring cast aluminum airfoil-section blades, the NBC is as aesthetic as it is efficient.

NEF



The NEF is the perfect combination of efficiency and economy. Ideal for export, these units can be shipped knocked-down to save on freight costs.



Dimensions in inches.

The required framed-in opening **width** for both the MNBCC54 and MNEFC54 is 58 5/8".

The required framed-in opening **height** depends on wall thickness:

For 2" thick walls, the height is 59 1/4"

For 4" thick walls, the height is 59 1/2".

For 6" thick walls, the height is 59 3/4".

ALL SPECIFICATIONS ARE SUBJECT TO CHANGE WITHOUT NOTICE.