

Excel 100N

XL100N or
XL100NG or
XL100N5

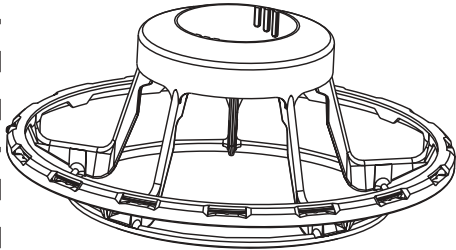
Feeder Assembly Instructions & Maintenance



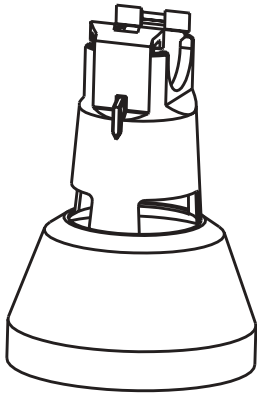
Make sure you have all parts needed.

1 Parts & Numbers (Parts for XL100N)

(Parts for XL100NG)



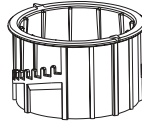
'No-Grill' Grill (FE1360)
[Box: 25 pieces,
11 LBS, 5.6 FT³]



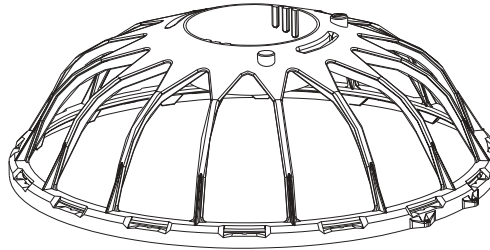
Tower w/o fins (FE1330NF)
[Box: 45 pieces,
20 LBS, 6.4 FT³]



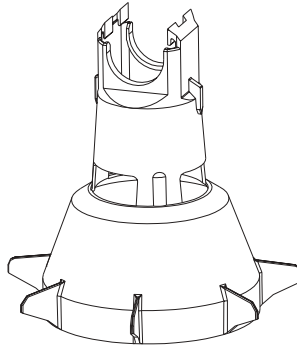
Cap (FE1350)
[Box: 200 pieces,
10 LBS, 1.6 FT³]



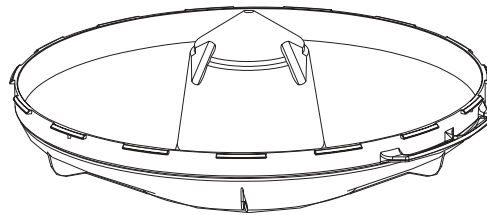
Collar (FE1340)
[Packaged with FE1330]



Grill (FE1320PX or FE1320BE)
[Box: 25 pieces,
11 LBS, 5.6 FT³]



Tower (FE1330)
[Box: 50 pieces,
25 LBS, 6.4 FT³]



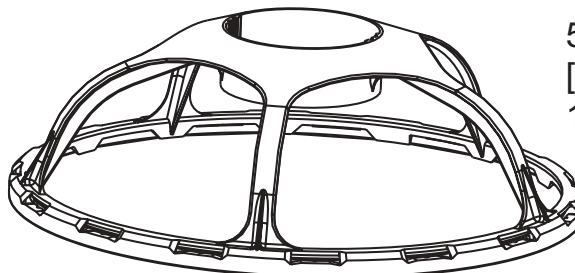
Pan (FE1310)
[Box: 50 pieces,
37 LBS, 5.3 FT³]

[Packaging Info]

2 Straps (FE1355)
[Bag: 1000 pieces]



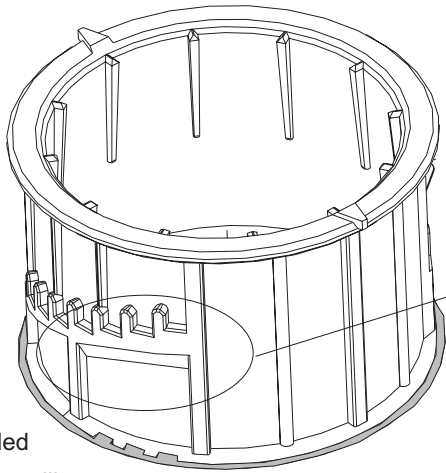
(Part for XL100N5)



5 Spoke Grill (FE1380)
[Box: 25 pieces,
10 LBS, 5.6 FT³]

2

First put the collar in the grill.

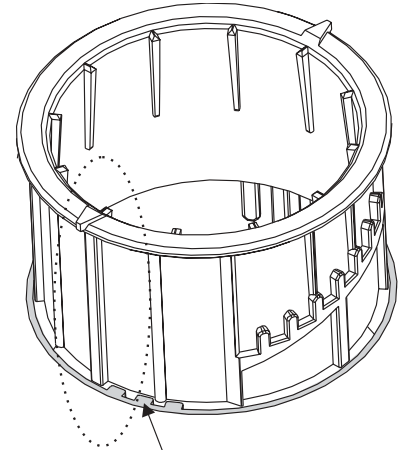


The difference between the old and new styles is mainly the ramp here.

The shaded area is the grill.

OLD STYLE:

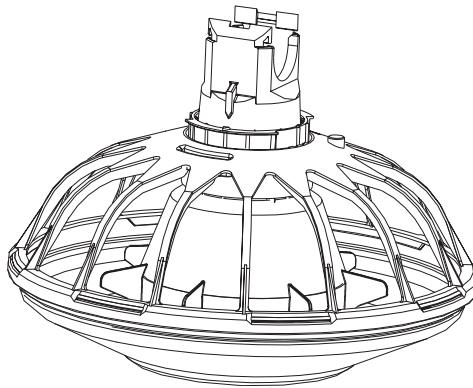
Align one of the arrows of the collar to the clockwise side of the three tabs on the grill. Push collar into grill. You may have to squeeze the collar a little bit.



The shaded area is the grill.

NEW STYLE:

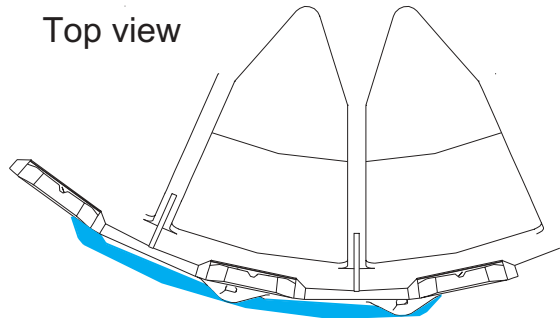
Align the area with the ramp with the three detents and push the collar into the grill. You may have to squeeze the collar a little bit.



3

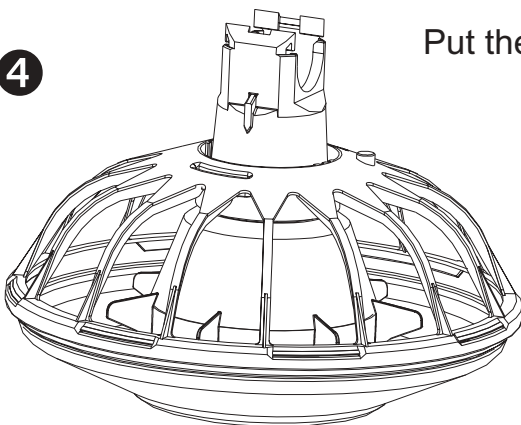
Place feeder pan on floor and tower in the center.

Top view

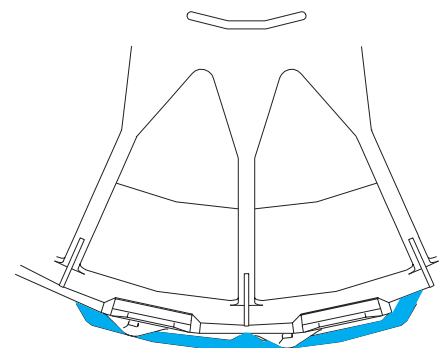


4

Put the grill on the pan



Slide pan counter-clockwise to lock the grill and pan together.

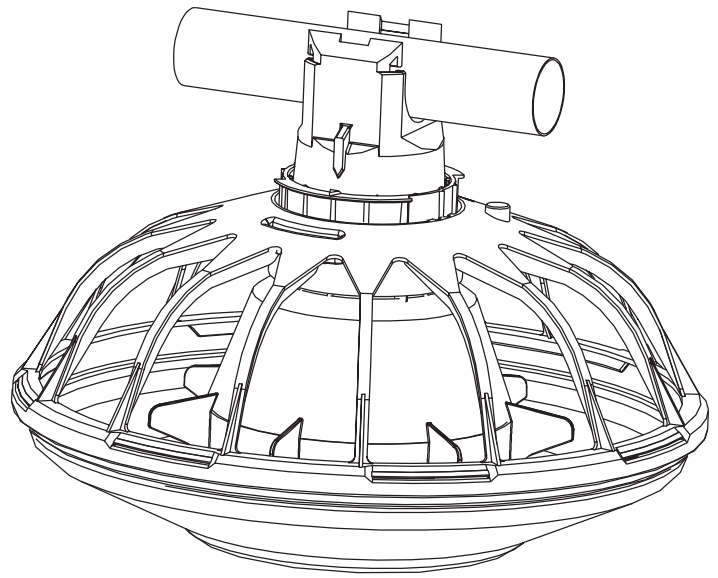


Attach them together by inserting the straps down from the top through the grill and then the pan rail. Don't pull the straps too tight or the hinge won't be able to move. Snip off excess.

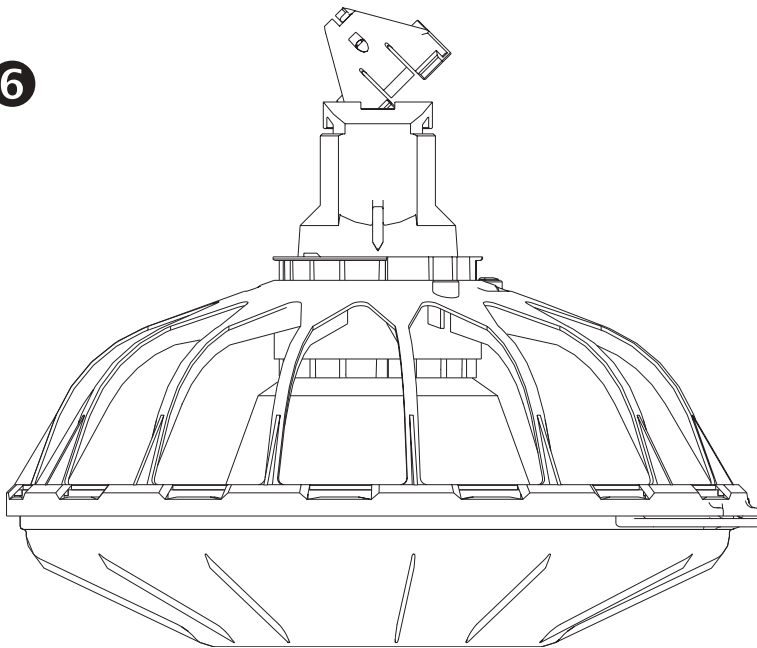
The shaded area is the pan.

5

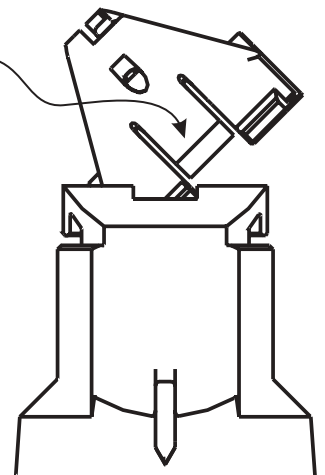
Place the pan on the feed conduit underneath an opening and...



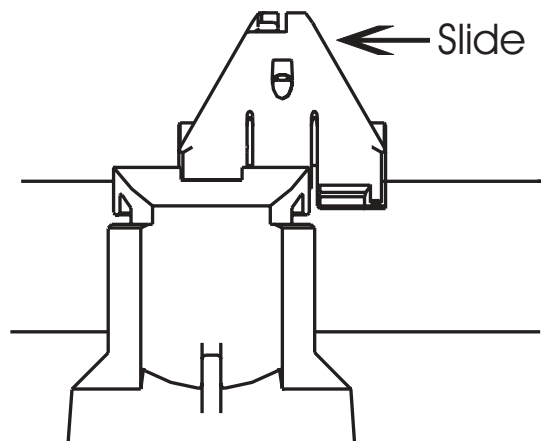
6



Press here on both sides, tilt down and slide until locked.



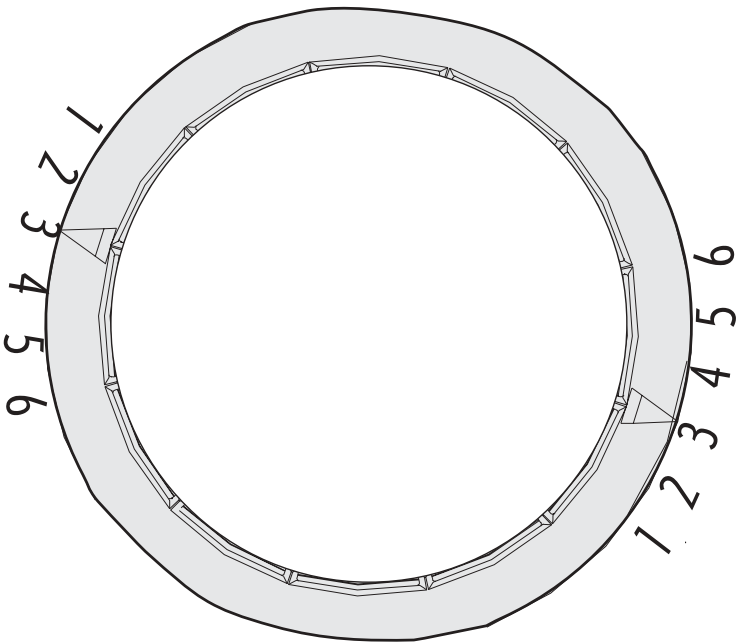
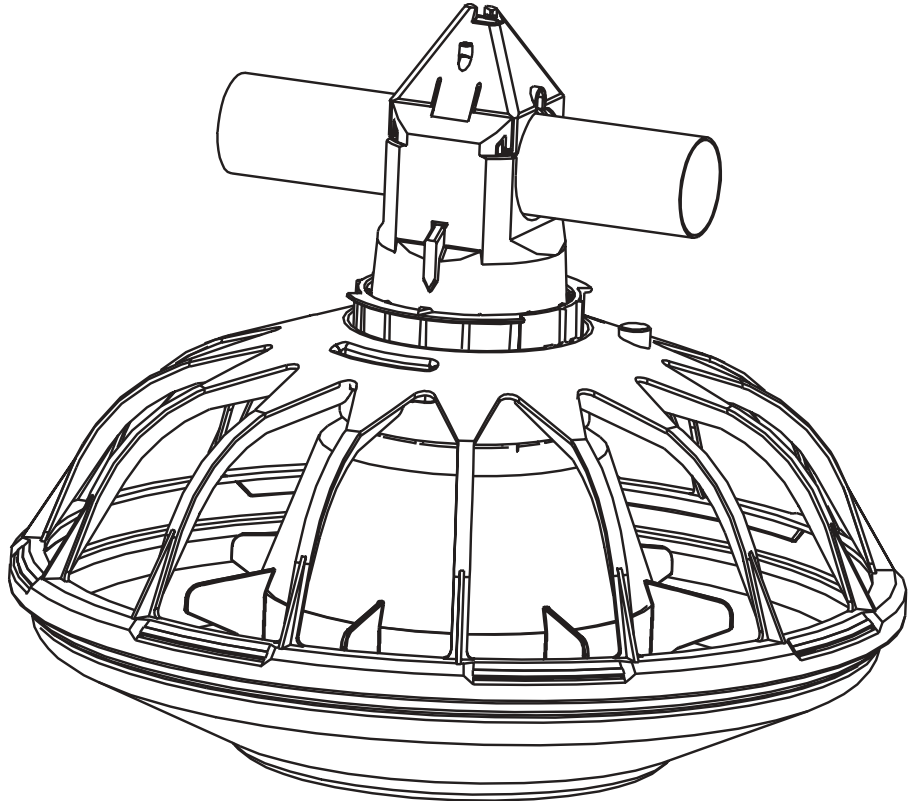
Pressing on tabs of the cap on both sides, tilt the cap down into the tower and slide until locked.



7

Now you are almost done!

Grasping the grill and pan, pick up the assembly and turn counter-clockwise until the arrows line up with the number that corresponds to the amount of feed you want to supply.



1 corresponds to the least amount of feed and 6 gives the most amount of feed except when in flood position. Flood position is when the pan is resting on the floor and the feed conduit is all the way down.

See next page for cleaning instructions.

Cleaning the Excel 100N Feeder

Holding onto the grill, use the ribs underneath the pan to turn it clockwise and unlock the two. Let the pan hang down for spray cleaning.

