

FLEX-vey® 350

Auger Fill System Replacement Parts

Instr. #25-05-0233 05/11

For the following components:	
Power Units	
Direct Drive	
25-05-0006	350rpm, 1hp, 115/230v, 50/60HZ, 1ph, 56N
25-05-0150	350rpm, 3/4hp, 115/230v, 1ph, 56YZ
25-05-1600	300/358 rpm, 3/4hp, 50/60HZ, 115/220-230v, 1ph, 56N (same as #25-05-1606, less wiring)
25-05-1606	300/358 rpm, 3/4hp, 50/60HZ, 115/220-230v, 1ph, 56YZ
25-05-1607	358rpm, 3/4hp, 60HZ, 208-230/460v, 3ph, 56C
25-05-1608	358rpm, 3/4hp, 60HZ, 380v, 3ph, 56C
25-05-1609	300rpm, 3/4hp, 50HZ, 220/380/440v, 3ph, 56C
25-05-1624	350rpm, 3/4hp, 50hz, 220/280/440v, 3ph, 56C
25-05-1626	350hp, 3/4hp, 50/60HZ, 115/230v, 1ph, 56YZ
25-05-1658	350rpm, 3/4hp, 60HZ, 115/230, 1ph, 56YZ
25-05-1713	358rpm, 1hp, 60HZ, 115/230v, 3ph, 56N
25-05-1714	300rpm, 1hp, 50HZ, 220v, 1ph, 56C
25-05-1715	358rpm, 1hp, 60HZ, 208-230/460v, 3ph, 56C
25-05-1716	358rpm, 1hp, 60HZ, 380v, 3ph, 56C
25-05-1717	300rpm, 1hp, 50HZ, 220/380/440v, 3ph, 56C
25-05-1718	350rpm, 1hp, 60HZ, 115/230v, 56N
25-05-1721	350rpm, 3/4hp, 50/60HZ, 115/220-230v, 1ph, 56YZ
25-05-1761	350rpm, 1hp, 50HZ, 220/380/440v, 3ph, 56C
25-05-1762	350rpm, 1hp, 60HZ, 208-230/460v, 3ph, 56C

Belt Drive	
25-05-1211	8" [203mm] Pulley
25-05-1111	12" [305mm] Pulley

Unloader Valve Kits, for 16" [406mm] Opening Bins	
25-16-1200	Single Out
25-16-1225	Double Out
25-16-1235	Double Out, Opposite
25-16-1250	Single Through, less Arbor, w/Baffle Plate
25-16-1275	Double Through, less Arbors

In-Line Transfer Assembly	
25-03-1170	

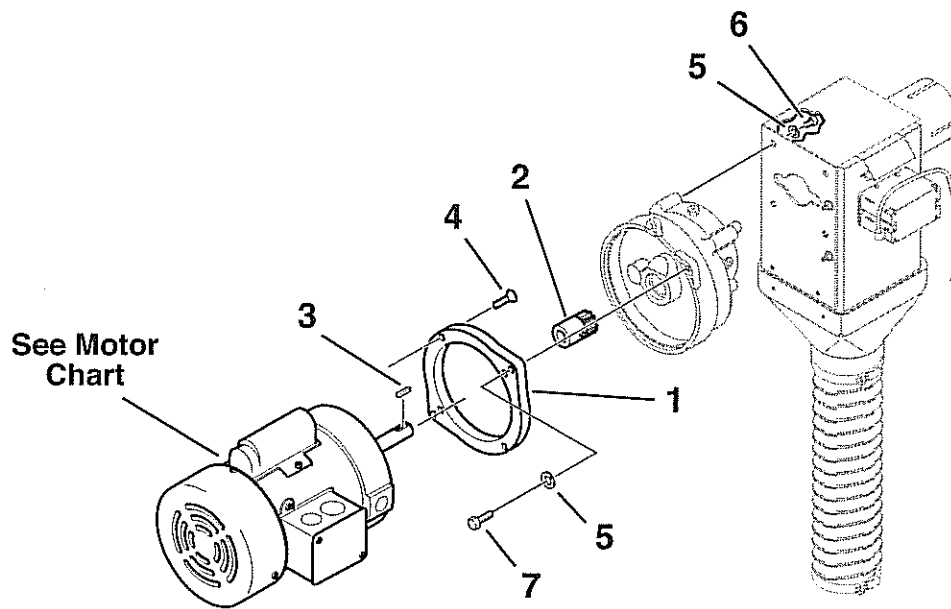


Big Dutchman.

Contents

Direct Drive Power Unit	4
Direct Drive Power Unit	5
Direct Drive Power Unit (For use with Proximity Switch).....	6
Direct Drive Power Unit	7
Belt Drive Power Unit	8
Belt Drive Power Unit	9
Unloader Assembly (single).....	10
Unloader Assembly (double)	11
Unloader Assembly (double continued).....	12
Unloader Boots, 16in. [406mm]	13
30° Unloader Boot, 22in. [559mm]	14
30° Unloader Boot, 22in. [559mm]	15
Arbor Assemblies.....	16
Wiring Diagram-Auger Fill (25-03-0138).....	17
In-Line Transfer Assembly (25-03-1170)	18
Replacement Parts (25-03-1170)	19
Index.....	20

Direct Drive Power Unit



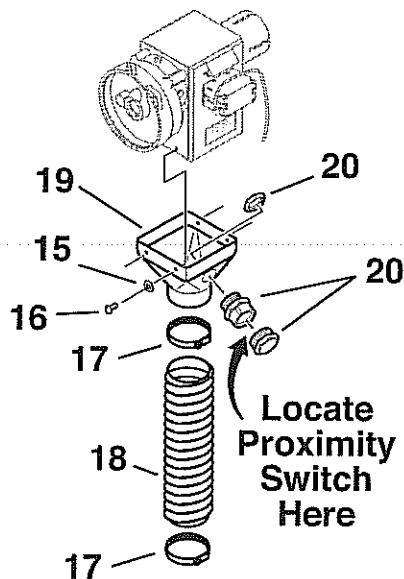
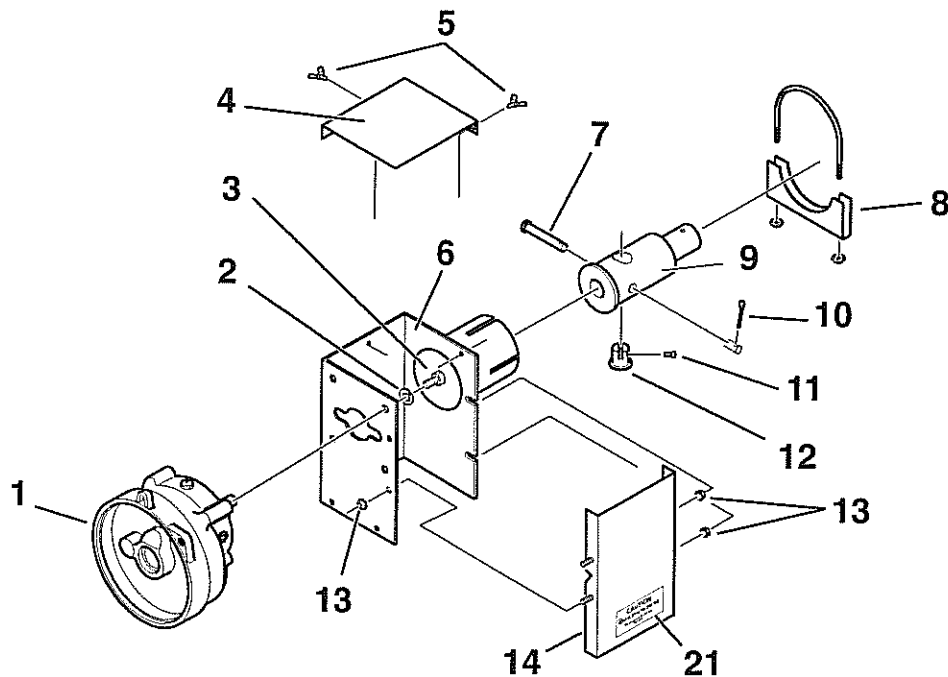
Power Unit No.	1 Motor Adapter	2 Pinion
25-05-0006	N/A	11-00-1029
25-05-0150	N/A	10-00-9316
25-05-1600	N/A	10-00-9613
25-05-1606	N/A	10-00-9613
25-05-1607	11-00-1053	11-00-9364
25-05-1608	11-00-1053	11-00-9364
25-05-1609	11-00-1053	11-00-9364
25-05-1624	11-00-1053	11-00-9364
25-05-1626	N/A	10-00-9316
25-05-1658	N/A	10-00-9316
25-05-1713	N/A	11-00-1029
25-05-1714	11-00-1053	11-00-9364
25-05-1715	11-00-1053	11-00-9364
25-05-1716	11-00-1053	11-00-9364
25-05-1717	11-00-1053	11-00-9364
25-05-1718	N/A	11-00-1029
25-05-1721	N/A	10-00-9316
25-05-1761	11-00-1053	11-00-9364
25-05-1762	11-00-1053	10-00-9364

Direct Drive Power Unit

Item	Part No.	Description
3	99-50-0338	Square Key, 3/16 X 3/4"
4	11-00-1028	Socket Bolt, 3/8-16 X 1"
5	99-20-0054	Lock Washer, 5/16"
6	99-10-0278	Hex Bolt, 5/16-18 X 5/8"
7	99-10-0109	Hex Bolt, 5/16-18 X 1-1/4"

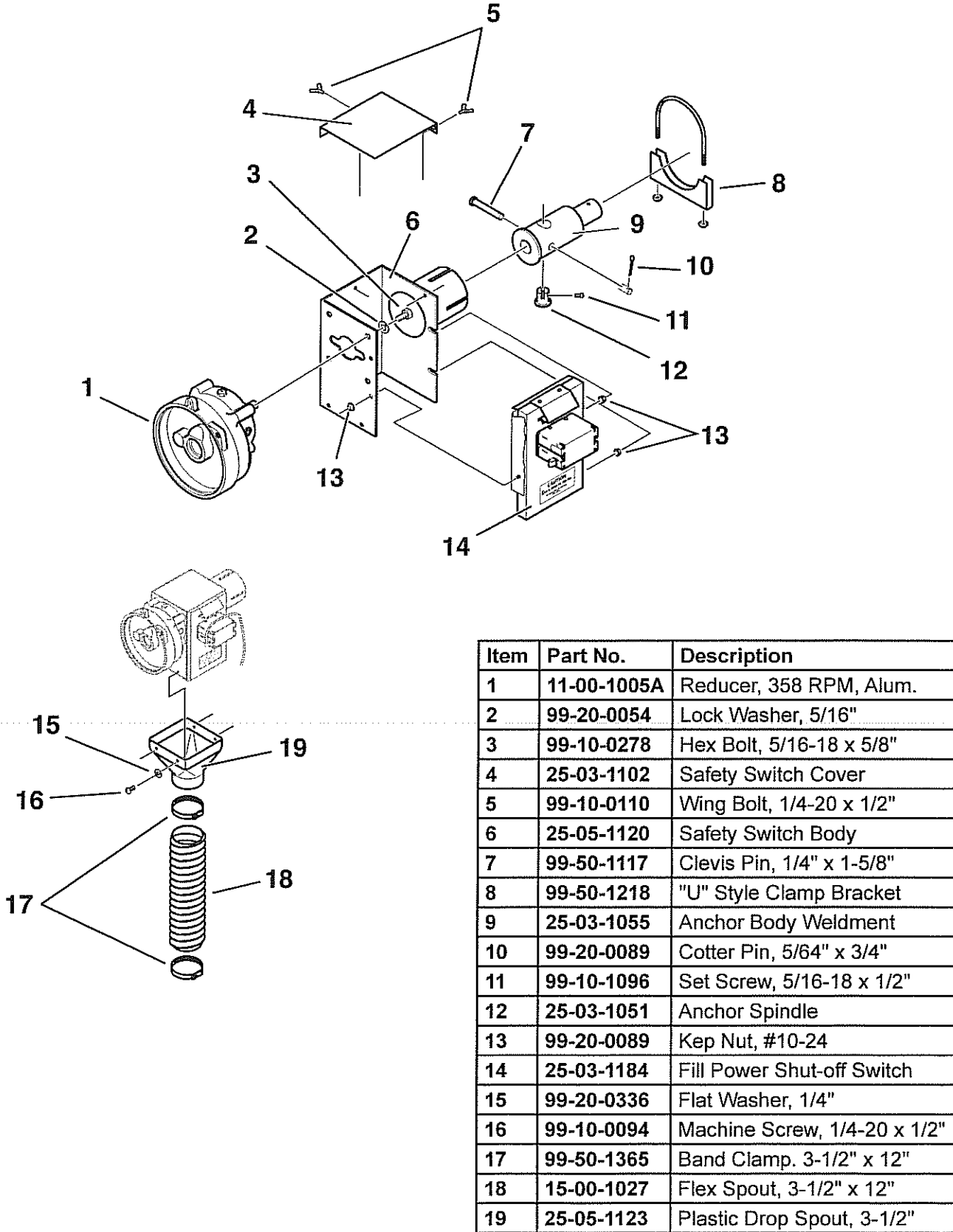
Motor Chart		
Power Unit No.	Motor No.	Description
25-05-0006	90-00-0366	350rpm, 1hp, 115/230v, 50/60HZ, 1ph, 56N
25-05-0150	90-00-1072	350rpm, 3/4hp, 115/230v, 1ph, 56YZ
25-05-1600	90-00-1009	50/60HZ, 1PH, 115/220-230V, 300/358 RPM, 3/4HP Motor, 56N
25-05-1606	90-00-1009	50/60HZ, 1PH, 115/220-230V, 300/358 RPM, 3/4HP Motor, 56YZ
25-05-1607	90-00-9132	60HZ, 3PH, 208-230/460V, 358 RPM, 3/4HP Motor, 56YZ
25-05-1608	90-00-0461	60HZ, 3PH, 380V, 358 RPM, 3/4HP Motor, 56C
25-05-1609	90-00-0450	50HZ, 3PH, 220/380/440V, 300 RPM, 3/4HP Motor, 56C
25-05-1624	90-00-0450	350rpm, 3/4hp, 50hz, 220/280/440v, 3ph, 56C
25-05-1626	90-00-1072	350hp, 3/4hp, 50/60HZ, 115/230v, 1ph, 56YZ
25-05-1658	90-00-1072	350rpm, 3/4hp, 60HZ, 115/230, 1ph, 56YZ
25-05-1713	90-00-0366	60HZ, 1PH, 115/230V, 358RPM, 1HP Motor, 56N
25-05-1714	90-00-0418	50HZ, 1PH, 220V, 300 RPM, 1HP Motor, 56C
25-05-1715	90-00-9069	60HZ, 3PH, 208-230/460V, 358 RPM, 1HP Motor, 56C
25-05-1716	90-00-0462	60HZ, 3PH, 380V, 358 RPM, 1HP Motor, 56C
25-05-1717	90-00-0415	50HZ, 3PH, 220/380/440V, 300 RPM, 1HP Motor, 56C
25-05-1718	90-00-0525	350rpm, 1hp, 60HZ, 115/230v, 56N, 56N
25-05-1721	90-00-1072	350rpm, 3/4hp, 50/60HZ, 115/220-230v, 1ph, 56YZ
25-05-1761	90-00-0415	350rpm, 1hp, 50HZ, 220/380/440v, 3ph, 56C
25-05-1762	90-00-9069	350rpm, 1hp, 60HZ, 208-230/460v, 3ph, 56C

Direct Drive Power Unit (For use with Proximity Switch)



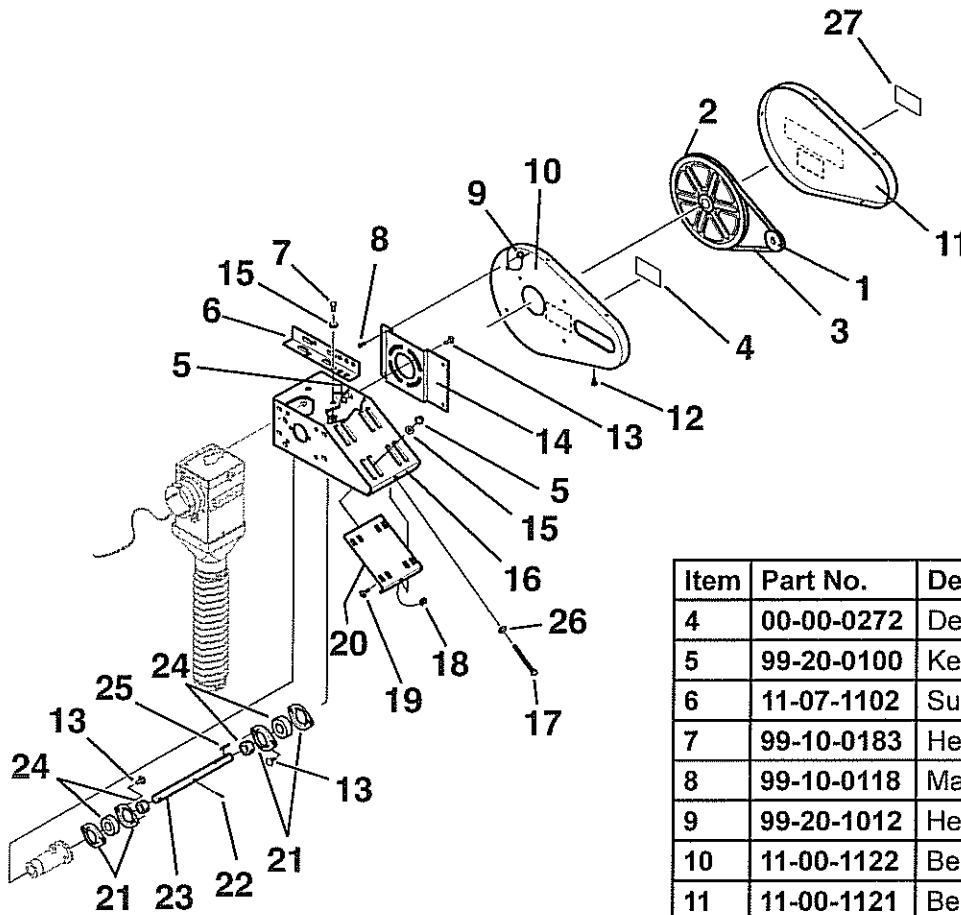
Item	Part No.	Description
1	11-00-1005A	Reducer, 358 RPM, Alum.
1	11-00-9316A	Reducer, 657 RPM, Alum.
1	11-00-9375	Reducer, 412 RPM, Orange
2	99-20-0054	Lock Washer, 5/16"
3	99-10-0278	Hex Bolt, 5/16-18 x 5/8"
4	25-03-1102	Safety Switch Cover
5	99-10-0110	Wing Bolt, 1/4-20 x 1/2"
6	25-05-1120	Safety Switch Body
7	99-50-1117	Clevis Pin, 1/4" x 1-5/8"
8	99-50-1218	"U" Style Clamp Bracket
9	25-03-1055	Anchor Body Weldment
10	99-20-0089	Cotter Pin, 5/64" x 3/4"
11	99-10-1096	Set Screw, 5/16-18 x 1/2"
12	25-03-1051	Anchor Spindle
13	99-20-0089	Kep Nut, #10-24
14	25-03-1185	Blank Switch Plate
15	99-20-0336	Flat Washer, 1/4"
16	99-10-0094	Machine Screw, 1/4-20 x 1/2"
17	99-50-1365	Band Clamp, 3-1/2" x 4-1/4"
18	15-00-1027	Flex Spout, 3-1/2" x 12"
19	25-05-1144	Plastic Drop Spout, 3-1/2"
20	91-00-0675	Gland, Plastic, Mounting Proximity Switch
21	00-00-0229	Decal, Warning

Direct Drive Power Unit



Item	Part No.	Description
1	11-00-1005A	Reducer, 358 RPM, Alum.
2	99-20-0054	Lock Washer, 5/16"
3	99-10-0278	Hex Bolt, 5/16-18 x 5/8"
4	25-03-1102	Safety Switch Cover
5	99-10-0110	Wing Bolt, 1/4-20 x 1/2"
6	25-05-1120	Safety Switch Body
7	99-50-1117	Clevis Pin, 1/4" x 1-5/8"
8	99-50-1218	"U" Style Clamp Bracket
9	25-03-1055	Anchor Body Weldment
10	99-20-0089	Cotter Pin, 5/64" x 3/4"
11	99-10-1096	Set Screw, 5/16-18 x 1/2"
12	25-03-1051	Anchor Spindle
13	99-20-0089	Kep Nut, #10-24
14	25-03-1184	Fill Power Shut-off Switch
15	99-20-0336	Flat Washer, 1/4"
16	99-10-0094	Machine Screw, 1/4-20 x 1/2"
17	99-50-1365	Band Clamp. 3-1/2" x 12"
18	15-00-1027	Flex Spout, 3-1/2" x 12"
19	25-05-1123	Plastic Drop Spout, 3-1/2"

Belt Drive Power Unit

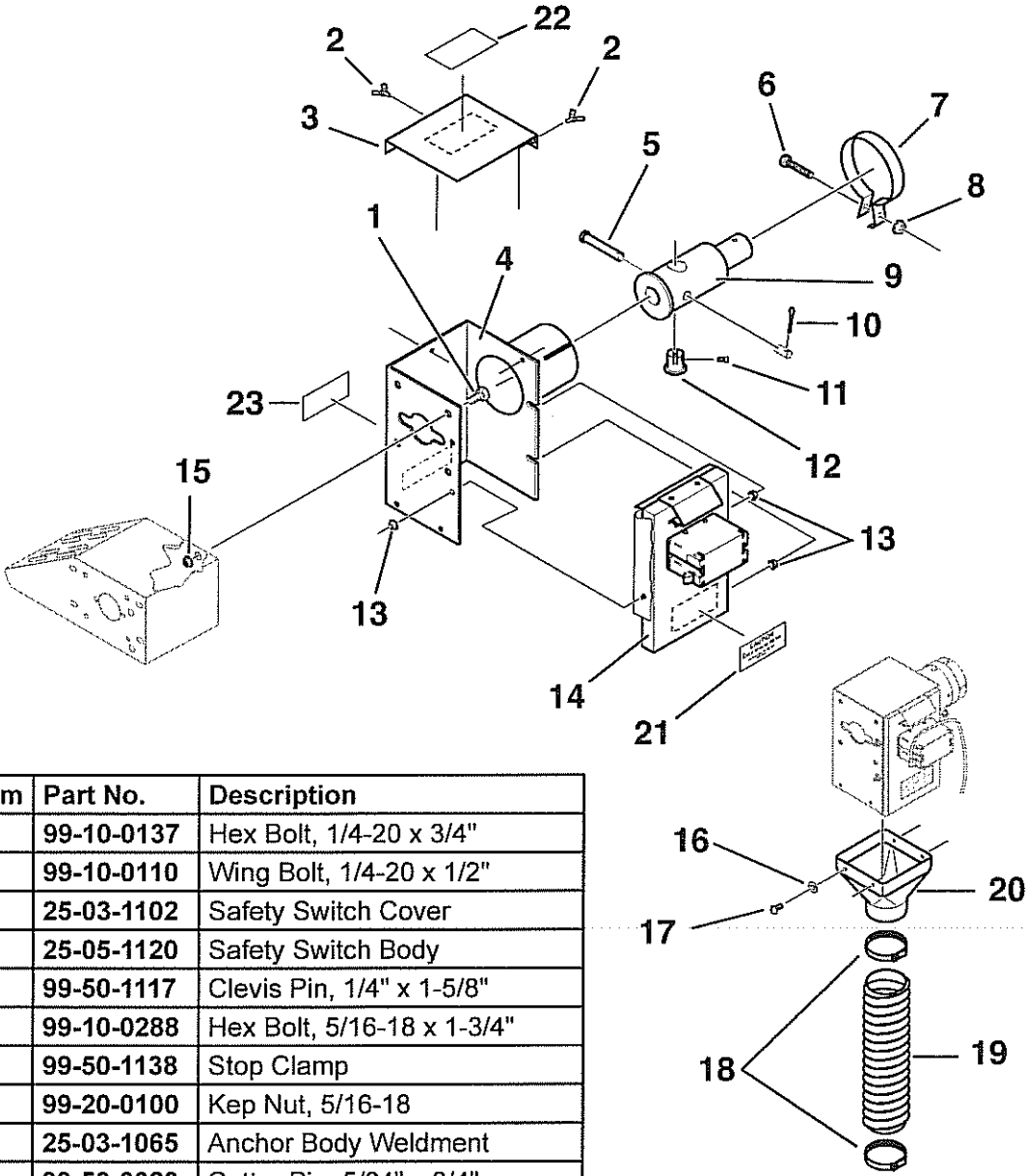


Type	1 Motor Sheave
Standard/ Domestic	99-50-1006 .625" [16 mm] Bore x 2.5" [64 mm] O.D.
Metric/ International	99-50-1105 19mm Bore x 64 mm O.D.]

Model	2 Sheave	3 V-Belt
25-05-1211 8" Pulley [203mm]	99-50-1077 3/4" ID x 8" [203 mm]	99-50-0097 4L-380, 38"
25-05-1111 12" Pulley [305 mm]	99-50-0981 3/4" ID. x 12" [305mm]	99-54-0047 4L-450 45"

Item	Part No.	Description
4	00-00-0272	Decal, Inst, Belt Tighten
5	99-20-0100	Kep Nut, 5/16-18
6	11-07-1102	Suspension Bracket
7	99-10-0183	Hex Bolt, 5/16-18 x 3/4"
8	99-10-0118	Machine Screw, #10-24 x 3/8"
9	99-20-1012	Hex Nylock Nut, #10-24
10	11-00-1122	Belt Guard, Back
11	11-00-1121	Belt Guard, Front
12	99-10-1115	Hex Washer Screw, #10 x 1/2"
13	99-10-0449	Carriage Bolt, 5/16-18 x 1"
14	25-03-0147	Belt Guard Support Plate
15	99-21-0003	Flat Washer, 1/4" x 3/16"
16	25-03-0142	Motor Mount
17	99-10-0874	Hex Cap Bolt, 3/8-16 x 2-1/2"
18	99-20-0404	Retaining Nut, 3/8-16
19	99-10-0154	Carriage Bolt, 5/16-18 x 1"
20	25-03-0146	Motor Mount Slide Plate
21	99-50-0667	Bearing Flangette, 3/4"
22	99-50-0174	Roll Pin, 1/8" x 1"
23	25-03-1104	Drive Shaft
24	99-50-0980	Bearing & Collar, 3/4"
25	99-50-0020	Sq, Key, 3/16" x 1-1/4"
26	99-20-0111	Washer, 5/16 Trade, Flat
27	36-0-00111	Decal, Warning, ENG/SPN Do not remove guards while machine is operating

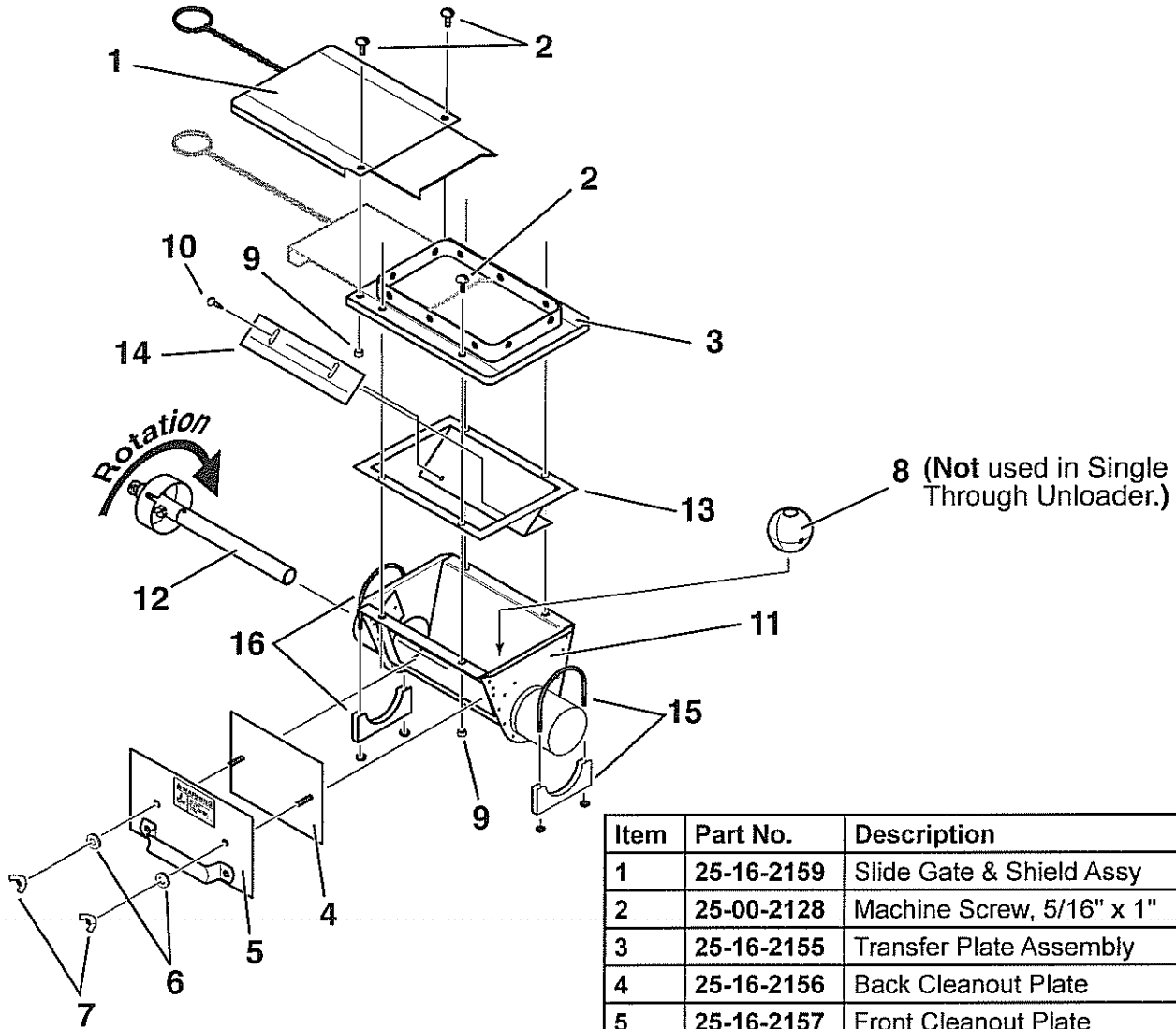
Belt Drive Power Unit



Item	Part No.	Description
1	99-10-0137	Hex Bolt, 1/4-20 x 3/4"
2	99-10-0110	Wing Bolt, 1/4-20 x 1/2"
3	25-03-1102	Safety Switch Cover
4	25-05-1120	Safety Switch Body
5	99-50-1117	Clevis Pin, 1/4" x 1-5/8"
6	99-10-0288	Hex Bolt, 5/16-18 x 1-3/4"
7	99-50-1138	Stop Clamp
8	99-20-0100	Kep Nut, 5/16-18
9	25-03-1065	Anchor Body Weldment
10	99-50-0023	Cotter Pin, 5/64" x 3/4"
11	99-10-1096	Set Screw, 5/16-18 x 1/2"
12	25-03-1051	Anchor Spindle
13	99-20-0089	Kep Nut, #10-24
14	25-03-1184	Fill Power Shut-off Switch
15	99-20-0047	Kep Nut, 1/4-20
16	99-20-0336	Flat Washer, 1/4"
17	99-10-0094	Machine Screw, 1/4-20 x 1/2"
18	99-50-1365	Band Clamp, 3-1/2" x 4-1/4"
19	15-00-1027	Flex Spout, 3-1/2" x 12"
20	25-05-1123	Plastic Drop Spout, 3-1/2"

Item	Part No.	Description
21	00-00-0229	Decal. Warning Elec., Eng/ Span
22	00-00-0222	Decal, Caution, Eng/ Span
23	00-00-0440	Decal, Big D., 5.0" x 1.25"

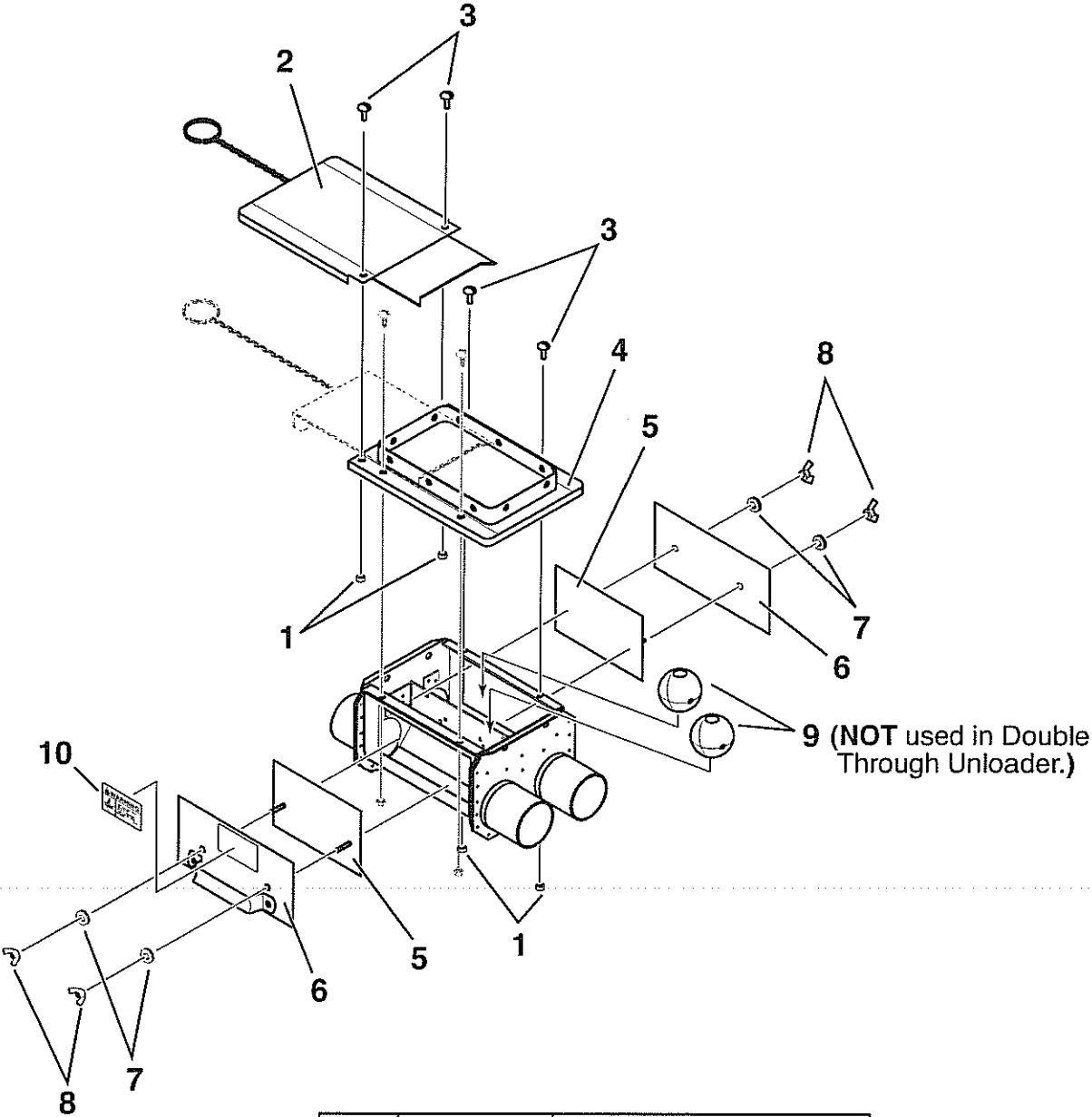
Unloader Assembly (single)



Item	Part No.	Description
1	25-16-2159	Slide Gate & Shield Assy
2	25-00-2128	Machine Screw, 5/16" x 1"
3	25-16-2155	Transfer Plate Assembly
4	25-16-2156	Back Cleanout Plate
5	25-16-2157	Front Cleanout Plate
6	25-00-2159	Washer, 3/8"
7	99-20-0041	Wing Nut, 5/16-18
8	25-16-1003	Cast Iron Agitator Ball
9	25-00-2125	Hex Nut, 5/16-18
10	99-10-0536	Pan Head Screw, 8-32 x 1/2"

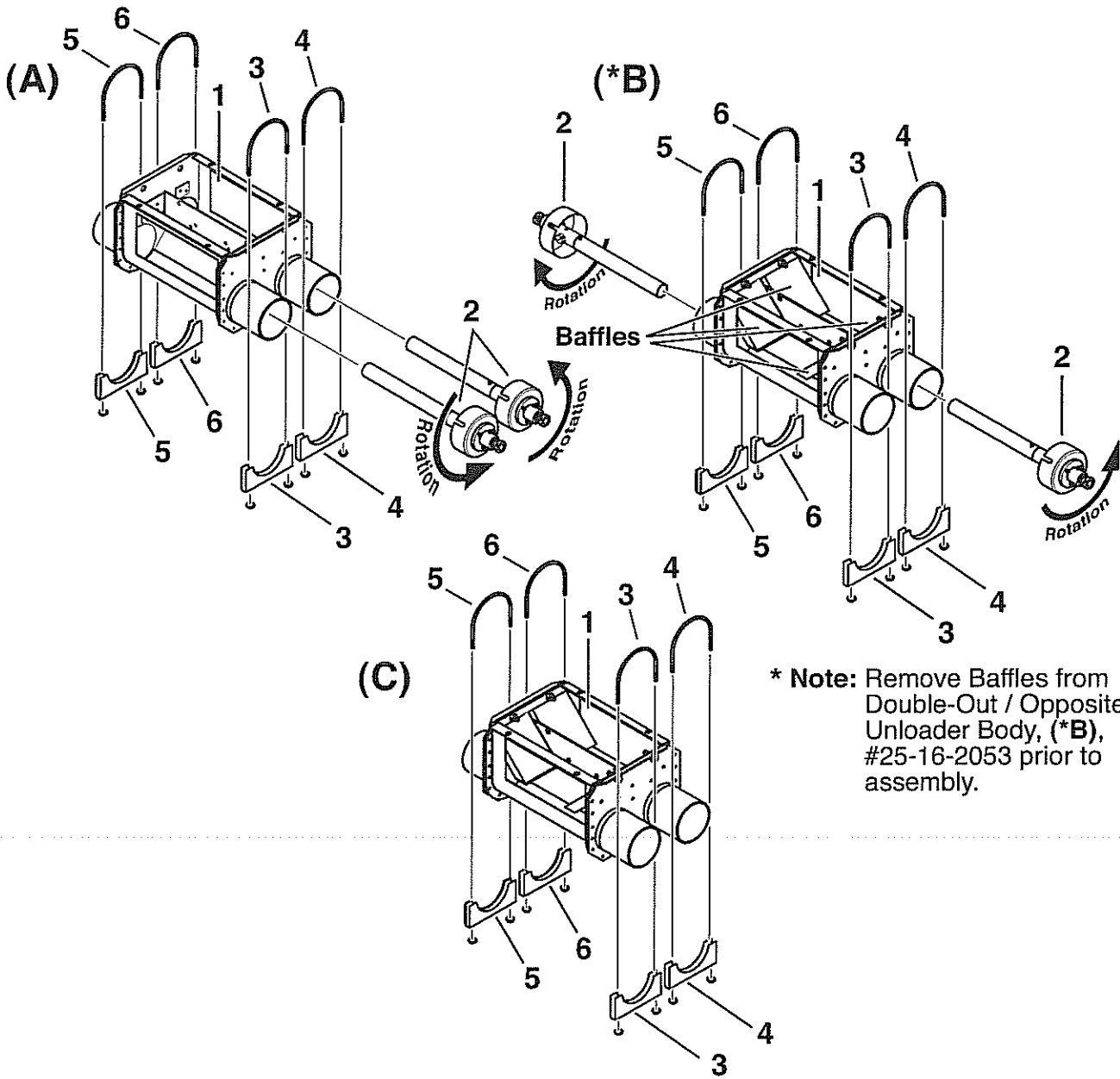
Unloader Kit	11 Unloader Body	12 3-1/2" Anchor Assy	13 Baffle Body	14 Baffle Slide Plate	15 Tube Clamp Assy	16 Tube Clamp Assy
25-16-1200 350 Single Out	25-16-2053	25-16-1202	---	---	25-00-2155 (4")	25-00-2533 (3-1/2")
25-16-1250 350 Single Through	25-16-2053	---	25-16-0998	25-16-0997	25-00-2155 (4")	25-00-2155 (4")

Unloader Assembly (double)



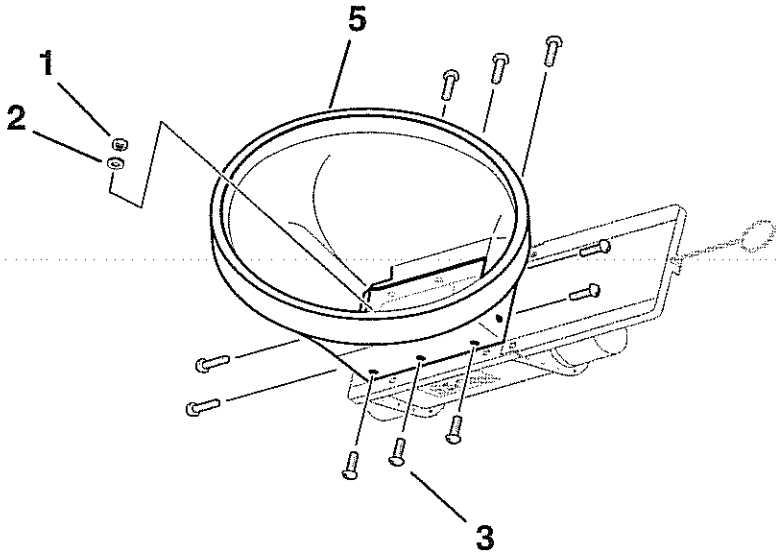
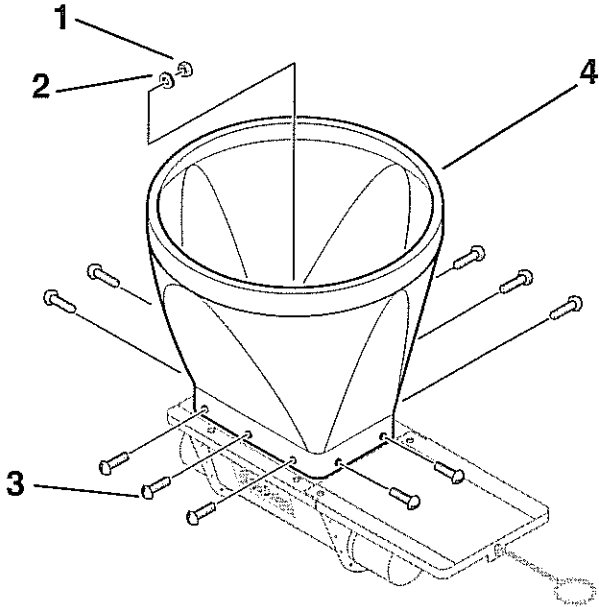
Item	Part No.	Description
1	25-00-2125	Hex Nut, 5/16-18
2	25-16-2159	Slide Gate & Shield Assy
3	25-00-2128	Machine Screw, 5/16 x 1"
4	25-16-2155	Transfer Plate
5	25-16-2156	Back Cleanout Plate
6	25-16-2157	Front Cleanout Plate
7	25-00-2159	Washer, 3/8"
8	99-20-0041	Wing Nut, 5/16-18
9	25-16-1003	Cast Iron Agitator Ball
10	00-00-0222	Decal, Caution, Eng/Span

Unloader Assembly (double continued)



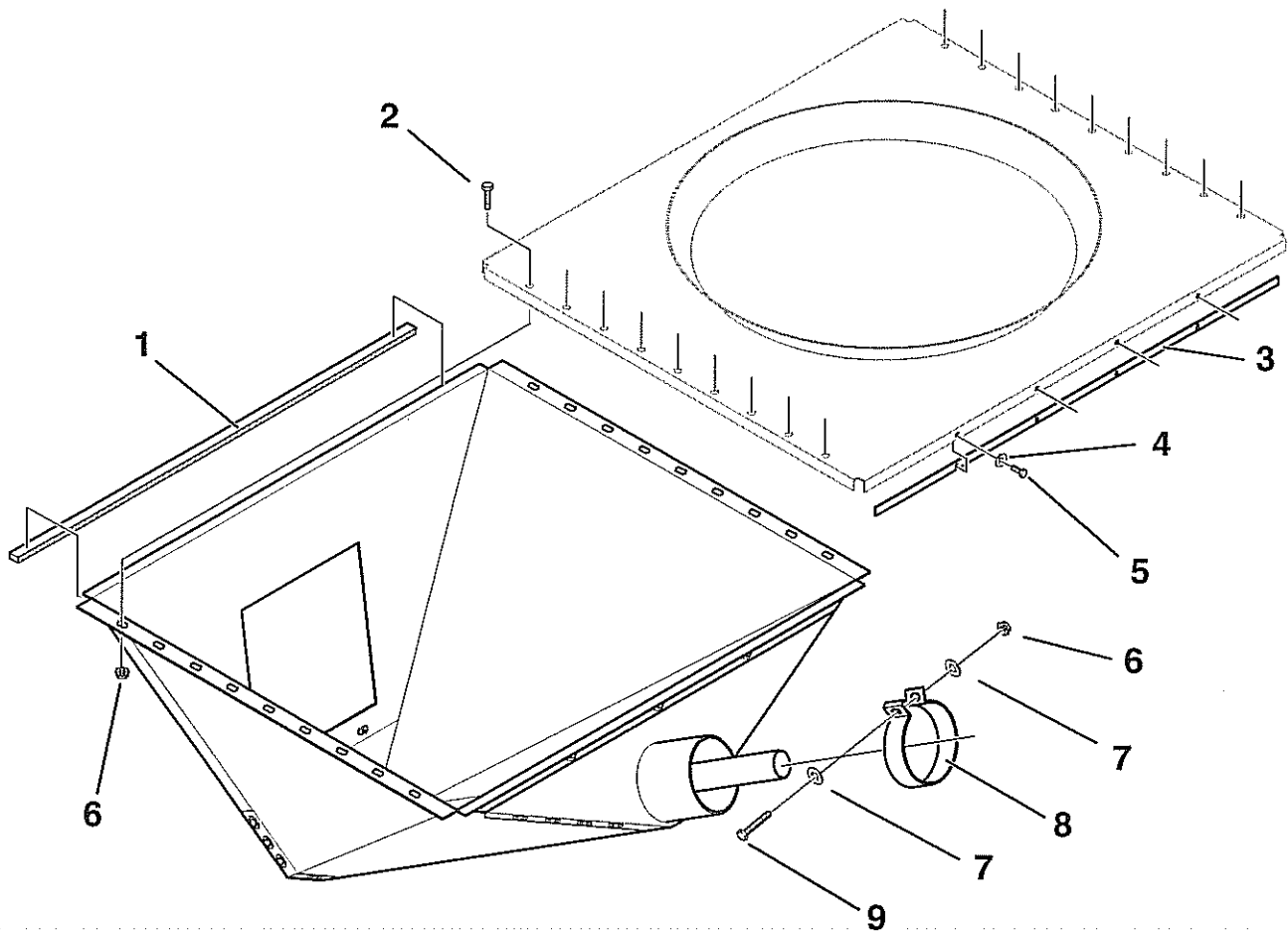
Unloader Kit	1 Unloader Body	2 Arbor Assy w/Zerk	3 Tube Clamp Assy	4 Tube Clamp Assy	5 Tube Clamp Assy	6 Tube Clamp Assy
(A) 25-16-1225 Dbl. Out	25-16-1226	25-16-1202	25-00-2533 (3-12")	25-00-2533 (3-1/2")	25-00-2155 (4")	25-00-2155 (4")
(*B) 25-16-1235 Dbl. Out, Opp.	25-16-2053	25-16-1202	25-00-2155 (4")	25-00-2533 (3-12")	25-00-2533 (3-1/2")	25-00-2155 (4")
(C) 25-15-1275 Dbl. Through	25-16-1275	N/A	25-00-2155 (4")	25-00-2155 (4")	25-00-2155 (4")	25-00-2155 (4")

Unloader Boots, 16in. [406mm]



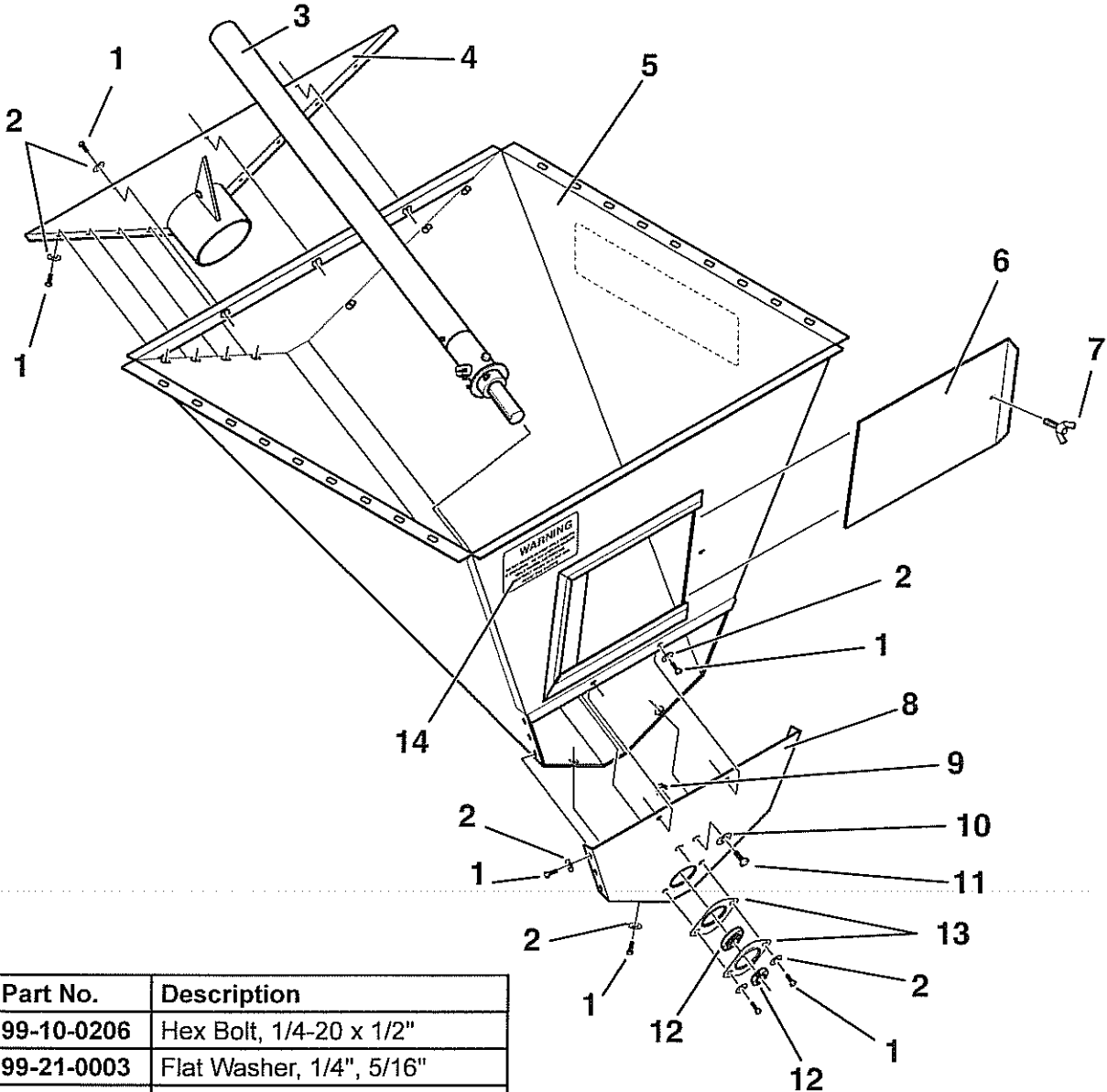
Item	Part No.	Description
1	25-00-2125	Hex Nut, 5/16-18
2	25-00-2130	Nylon Washer, 5/16"
3	25-00-2128	Machine Screw, 5/16" x 1"
4	25-16-1001	Plastic Boot, Straight, (For 16" [406mm] Opening Bin)
5	25-16-1000	Plastic Boot, 30 Degree, (For 16" [406mm] Opening Bin)

30° Unloader Boot, 22in. [559mm]



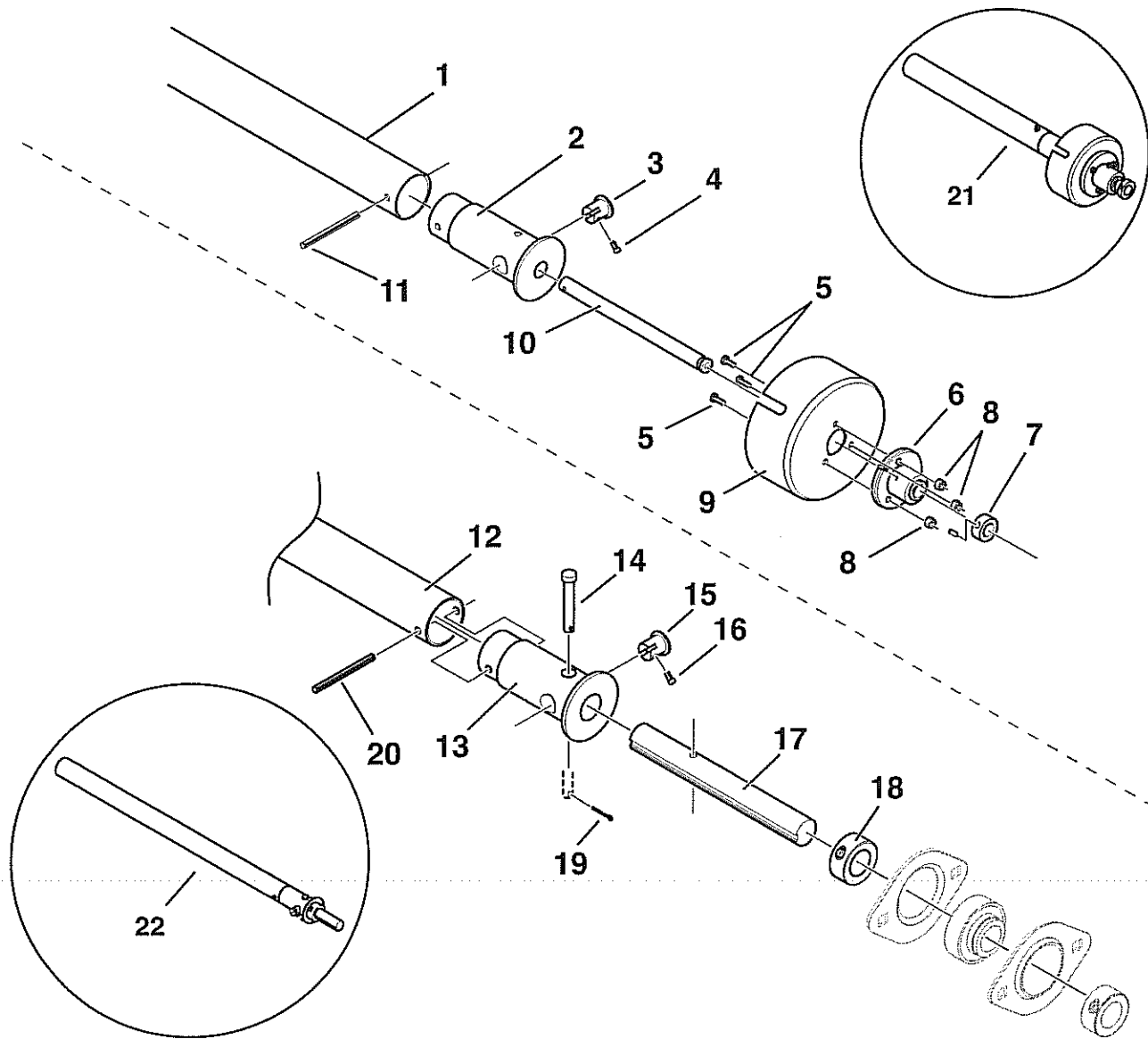
Item	Part No.	Description
1	25-03-1308	1/2" Foam Seal Strip
2	99-10-0283	Hex Bolt, 5/16-18 x 1"
3	25-03-1309	Front Boot Support
4	99-20-0336	Flat Washer, 1/4"
5	99-10-0206	Hex Bolt, 1/4-20 x 1/2"
6	99-20-0100	Kep Nut, 5/16-18
7	99-21-0003	Flat Washer, 1/4", 5/16"
8	99-50-1138	Stop Clamp, 3-1/2"
9	99-10-0288	Hex Bolt, 5/16-18 x 1-3/4"

30° Unloader Boot, 22in. [559mm]



Item	Part No.	Description
1	99-10-0206	Hex Bolt, 1/4-20 x 1/2"
2	99-21-0003	Flat Washer, 1/4", 5/16"
3	25-03-1430	Arbor Assembly
4	25-05-1306	Single End Outlet
5	25-03-1410	Boot Body
6	25-03-1401	Inspection Door
7	99-10-0110	Wing Bolt, 1/4-20 x 1/2"
8	25-02-1302	End Plate
9	99-20-0097	Keystone Nut, 3/8-16
10	99-20-0111	Flat Washer, 5/16" .375" I.D.
11	99-10-0261	Hex Bolt, 3/8-16 x 5/8"
12	99-50-0980	Bearing & Collar
13	99-50-0667	Bearing Flangette
14	36-00-0111	"Warning" Decal 2" x 4"

Arbor Assemblies

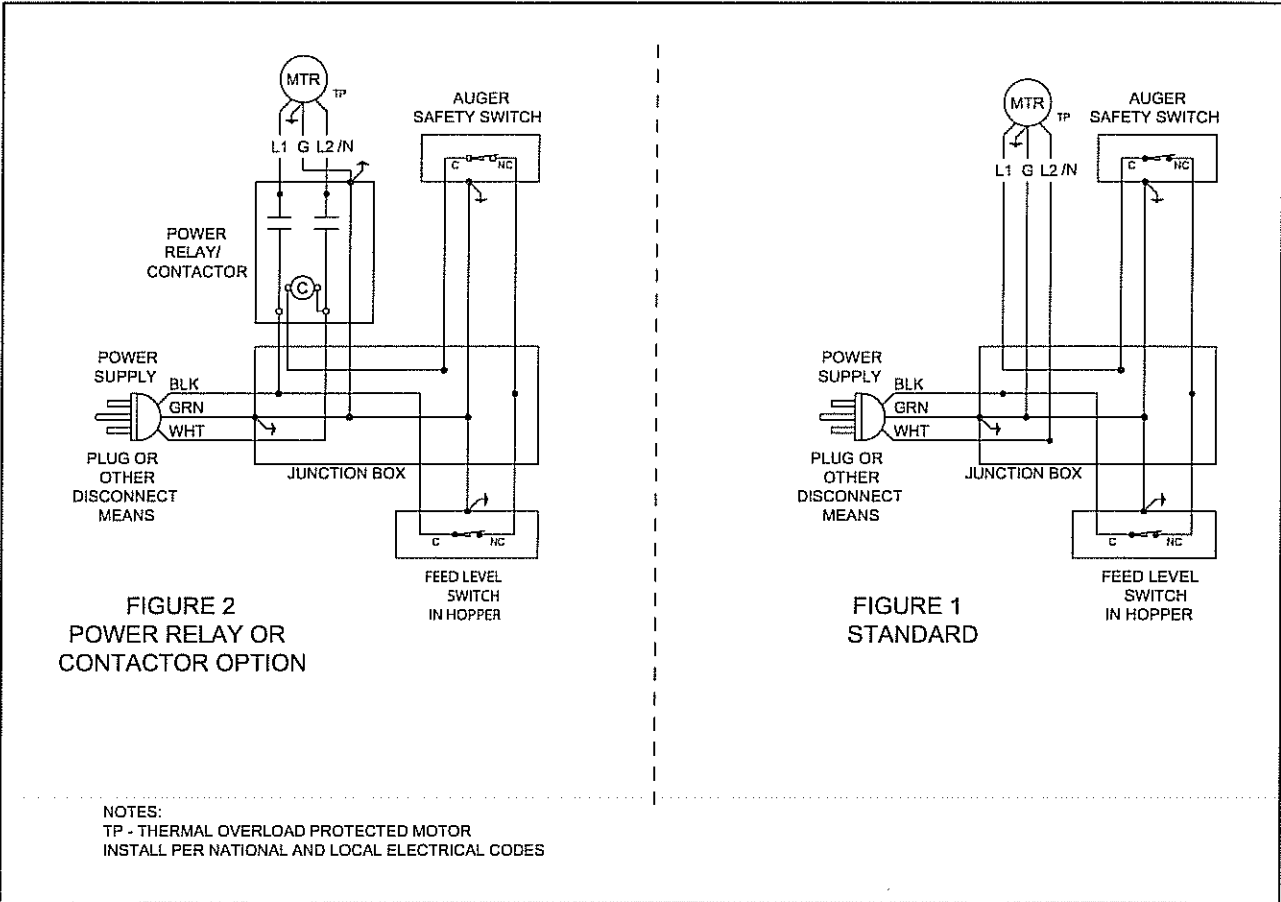


Item	Part No.	Description
1	25-03-1381	Tube Restrictor
2	25-03-1055	Anchor Body Weldment
3	25-03-1051	Anchor Spindle
4	99-10-1096	Set Screw, 5/16-18 x 1/2"
5	99-10-0142	Hex Bolt, 1/4-20 x 5/8"
6	25-16-1107	Bronze Bearing Assy w/Zerk
7	99-50-0374	Set Collar, 5/8"
8	99-20-0134	Hex Nut, 1/4-20 Nylock
9	25-16-2068	Bearing Cap
10	25-16-1113	Anchor Shaft
11	99-50-0231	Roll Pin, 3/16" x 1-3/4"

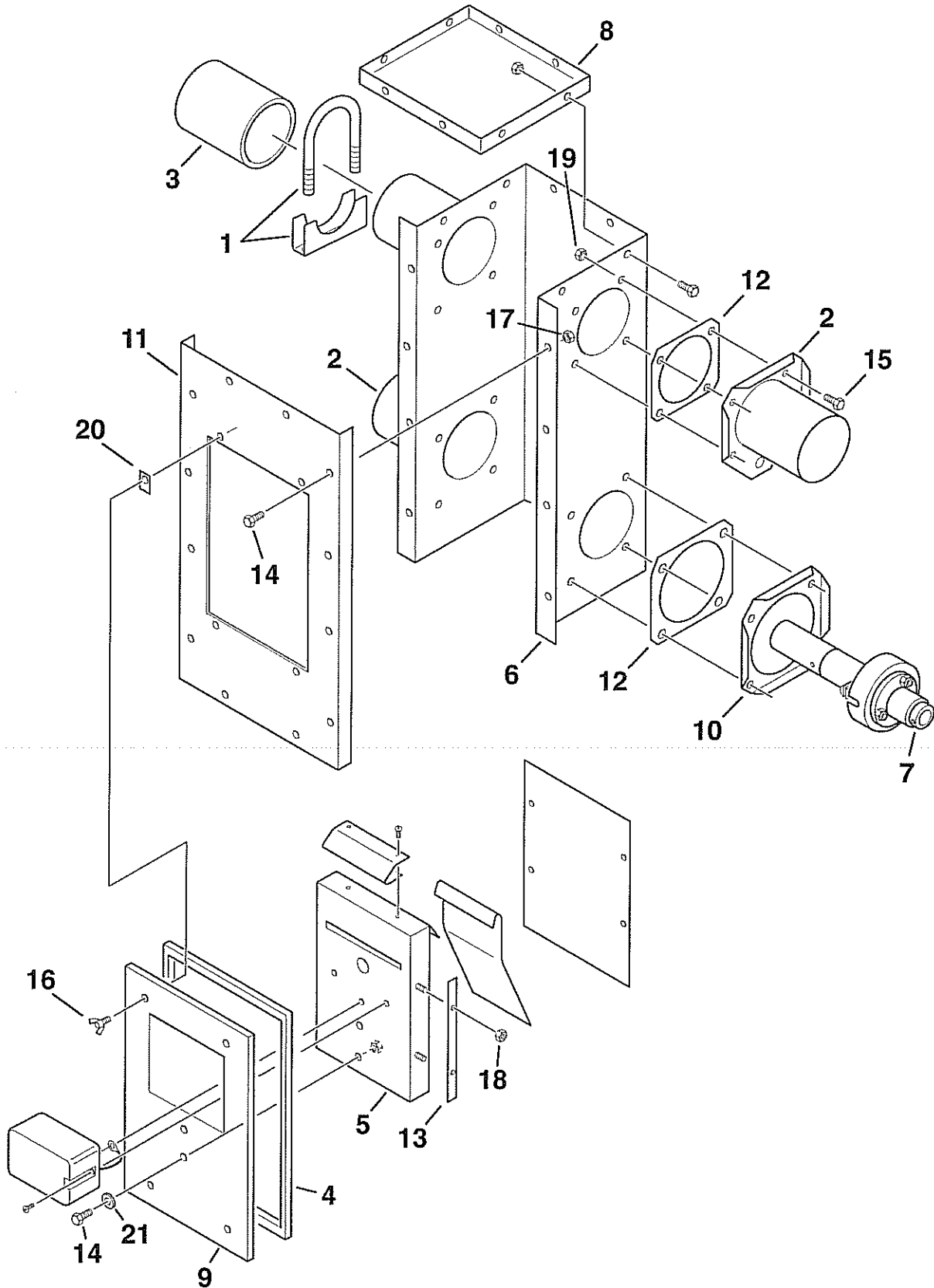
Item	Part No.	Description
12	25-03-1371	Tube, 1.375" O.D. x 22"
13	25-03-1065	Anchor Body Weldment
14	99-50-1117	Clevis Pin
15	25-03-1051	Anchor Spindle
16	99-10-1096	Set Screw, 5/16-18 x 1/2"
17	25-03-1372	Arbor Shaft
18	15-03-1302	Locking Collar
19	99-50-0023	Cotter Pin, 3/64" x 3/4"
20	99-50-0231	Roll Pin
21	25-16-1202	Arbor Assm., 3-1/2" w/zerk, Bronze Bushing Style
22	25-03-1430	Arbor Assm., Universal

Wiring Diagram-Auger Fill (25-03-0138)

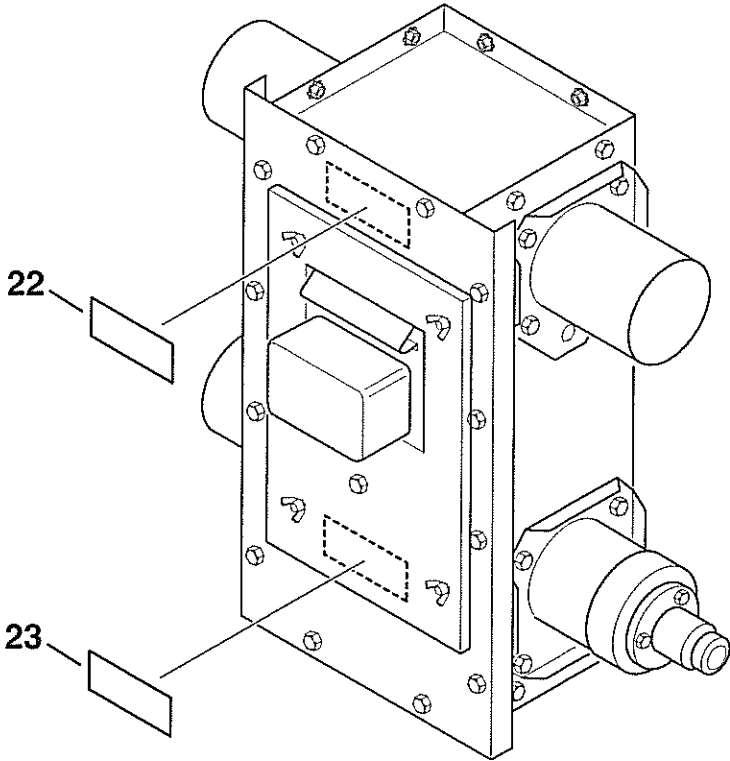
1 PH 115/230V, Typical



In-Line Transfer Assembly (25-03-1170)



Replacement Parts (25-03-1170)



Item	Part No	Description
1	25-00-2533	Tube Clamp, 3-1/2"
2	25-00-2730	Tube Anchor Plate Assy
3	25-03-1014	Coupler Adapter
4	25-03-1308	Foam Seal 1/2" Strip
5	25-03-1184	Shut-off Switch
6	25-03-1171	Transfer Body, Intermediate
7	25-03-1708	Arbor Assy, Trans Unit, 3-1/2"
8	25-03-1173	Transfer Unit Cover
9	25-03-1174	Switch Cover Mount
10	25-00-2739	Anchor Plate, 3-1/2"
11	25-03-1178	Mounting Plate Service
12	25-04-0174	Gasket, Closed Cell
13	91-BK-0006	Clamp Plate
14	99-10-0206	Hex Bolt, 1/4-20 x 1/2"
15	99-10-0278	Hex Bolt, 5/16-18 x 5/8"
16	99-10-0110	Wing Bolt, 1/4-20 x 1/2"
17	99-20-0047	Kep Lock Nut, 1/4-20
18	99-20-0089	Kep Lock Nut, 10-24
19	99-20-0100	Kep Nut, 5/16-18
20	99-20-0112	U, Tin Nut, 1/4"
21	99-21-0003	Washer, 1/4"

Item	Part No.	Description
22	00-00-0440	Decal, Big D., 5.0" x 1.25"
23	00-00-0222	Decal, Caution, Eng/Span

Index

Part Numbers & Page Number

00-00-0222	9,11,19
00-00-0229	6,9
00-00-0272	8
00-00-0440	9,19
10-00-9613	4
11-00-1005A	6,7
11-00-1028	5
11-00-1029	4
11-00-1053	4
11-00-1121	8
11-00-1122	8
11-00-9316A	6
11-00-9364	4
11-00-9375	6
11-07-1102	8
15-00-1027	6,7,9
15-03-1302	16
25-00-2125	10,11,13
25-00-2128	10,11,13
25-00-2130	13
25-00-2155	10,12
25-00-2159	10,11
25-00-2533	10,12,19
25-00-2730	19
25-00-2739	19
25-02-1302	15
25-03-0138	17
25-03-0142	8
25-03-0146	8
25-03-0147	8
25-03-1014	19
25-03-1051	6,7,9,16
25-03-1055	6,7,16
25-03-1065	9,16
25-03-1102	6,7,9
25-03-1104	8
25-03-1170	1,18,19
25-03-1171	19
25-03-1173	19
25-03-1174	19
25-03-1178	19
25-03-1184	7,9,19
25-03-1185	6
25-03-1308	14,19
25-03-1309	14
25-03-1371	16
25-03-1372	16
25-03-1381	16
25-03-1401	15

25-03-1410	15
25-03-1430	15,16
25-03-1708	19
25-04-0174	19
25-05-0006	1,4,5
25-05-0150	1,4,5
25-05-1111	1,8
25-05-1120	6,7,9
25-05-1123	7,9
25-05-1144	6
25-05-1211	1,8
25-05-1306	15
25-05-1600	1,4,5
25-05-1606	1,4,5
25-05-1607	1,4,5
25-05-1608	1,4,5
25-05-1609	1,4,5
25-05-1624	1,4,5
25-05-1626	1,4,5
25-05-1658	1,4,5
25-05-1713	1,4,5
25-05-1714	1,4,5
25-05-1715	1,4,5
25-05-1716	1,4,5
25-05-1717	1,4,5
25-05-1718	1,4,5
25-05-1721	1,4,5
25-05-1761	1,4,5
25-05-1762	1,4,5
25-15-1275	12
25-16-0997	10
25-16-0998	10
25-16-1000	13
25-16-1001	13
25-16-1003	10,11
25-16-1107	16
25-16-1113	16
25-16-1200	1,10
25-16-1202	10,12,16
25-16-1225	1,12
25-16-1226	12
25-16-1235	1,12
25-16-1250	1,10
25-16-1275	1,12
25-16-2053	10,12
25-16-2068	16
25-16-2155	10,11
25-16-2156	10,11
25-16-2157	10,11
25-16-2159	10,11
36-00-0111	15
90-00-0366	5
90-00-0415	5
90-00-0418	5
90-00-0450	5

Flex-Vey ® 350 Auger Fill System

90-00-0461	5
90-00-0462	5
90-00-0525	5
90-00-1009	5
90-00-1072	5
90-00-9069	5
90-00-9132	5
91-00-0675	6
91-BK-0006	19
99-10-0094	6,7,9
99-10-0109	5
99-10-0110	6,7,9,15,19
99-10-0118	8
99-10-0137	9
99-10-0142	16
99-10-0154	8
99-10-0183	8
99-10-0206	14,15,19
99-10-0261	15
99-10-0278	5,6,7,19
99-10-0283	14
99-10-0288	9,14
99-10-0449	8
99-10-0536	10
99-10-0874	8
99-10-1096	6,7,9,16
99-10-1115	8
99-20-0041	10,11
99-20-0047	9,19
99-20-0054	5,6,7
99-20-0089	6,7,9,19
99-20-0097	15
99-20-0100	8,9,14,19
99-20-0111	8,15
99-20-0112	19
99-20-0134	16
99-20-0336	6,7,9,14
99-20-0404	8
99-20-1012	8
99-21-0003	8,14,15,19
99-50-0020	8
99-50-0023	9,16
99-50-0097	8
99-50-0174	8
99-50-0231	16
99-50-0338	5
99-50-0374	16
99-50-0667	8,15
99-50-0980	8,15
99-50-0981	8
99-50-1006	8
99-50-1077	8
99-50-1105	8
99-50-1117	6,7,9,16

99-50-1138 9,14
99-50-1218 6,7
99-50-1365 6,7,9
99-54-0047 8

Big Dutchman, Inc. Limited Warranty

1. Big Dutchman warrants to the original purchaser that as to any product of its manufacture proving to be defective in material or workmanship under normal and intended use and service within one year from date of purchase thereof Big Dutchman will, at its option, (a) repair or replace such product free of charge, or (b) in lieu of repair or replacement, refund to the original purchaser the original purchase price less the reasonable value of the product's use to the original purchaser.
2. Any component parts that are not manufactured by Big Dutchman, such as electrical motors and controls, are excluded from this warranty, although such parts may be covered by separate warranties of the respective manufacturers. Copies of those other warranties, if any, may be obtained through Big Dutchman.
3. This warranty does not apply if all components of a system are not supplied by Big Dutchman, or if the product is not purchased from and installed by an authorized Big Dutchman distributor or company warehouse, or installed and operated in accordance with Big Dutchman specifications and instructions.
4. This warranty does not cover malfunctions or failures resulting from misuse, abuse, negligence, alterations, unauthorized or improper repairs, accident, damage while in transit, or lack of authorized or proper maintenance or installation. In addition, this warranty does not cover normal wear and tear or any problem with a product not caused by a defect in Big Dutchman materials or workmanship.
5. The obligations of Big Dutchman under this warranty do not include shipping charges, labor (whether for dismantling, installing, replacing or repairing), travel and subsistence allowance.
6. This warranty applies only to systems for the care of poultry and livestock. It does not apply to industrial or commercial installation. In addition, with respect to Big Dutchman's breeder nest system, Big Dutchman makes no warranty or guarantee that individual birds or any given population of birds will utilize the nests.
7. Warranty claims must be made in writing to Big Dutchman within 20 days of discovery and in accordance with Big Dutchman's published return-goods procedures, a copy of which may be obtained from Big Dutchman. For this warranty to apply, the product must be returned to a facility specified by Big Dutchman, freight prepaid and insured with proof of original purchase and date.
8. The acceptance by Big Dutchman of any product for repair, replacement or refund will not be deemed an admission by Big Dutchman that the product is defective or in violation of any warranty. Products that are replaced or for which a refund is issued become the property of Big Dutchman.
9. The rights and obligations of the purchaser under this warranty may neither be assigned nor delegated without the prior written permission of an authorized officer of Big Dutchman.
10. This warranty contains the entire warranty agreement between Big Dutchman and the purchaser, and the terms and conditions of this warranty supersede any and all other understandings, representations or proposals between Big Dutchman and the purchaser with respect to the matters covered by this warranty. This warranty shall not be modified by any custom or practice of the trade or of the parties, nor by any instances of Big Dutchman's waiver of or failure to enforce any of the provisions of this warranty.
11. This warranty may be modified or amended only in writing signed by both the purchaser and an authorized officer of Big Dutchman, and no other agent, employee, salesman, representative, dealer or distributor is authorized to make or to bind Big Dutchman to any representation, affirmation or warranty concerning the products in any manner whatsoever.
12. If Big Dutchman fails to fulfill its obligations in this warranty, or if Big Dutchman is determined to be liable to the purchaser or any other person for any reason related to any product covered by this warranty or the sale of that product, the maximum amount of damages, whether arising out of tort, contract, negligence or otherwise, recoverable from Big Dutchman by the purchaser shall be limited to the purchase price of the product with respect to which Big Dutchman's obligations or liability arises, less the reasonable value of the product's use to the purchaser.
13. THE OBLIGATIONS AND LIABILITIES OF BIG DUTCHMAN AND THE RIGHTS AND REMEDIES OF THE PURCHASER UNDER THIS WARRANTY ARE EXCLUSIVE AND IN LIEU OF ALL OTHER WARRANTIES, GUARANTEES, OBLIGATIONS, LIABILITIES, RIGHTS AND REMEDIES, EXPRESSED OR IMPLIED, ARISING BY LAW OR OTHERWISE, INCLUDING BUT NOT LIMITED TO THE IMPLIED WARRANTY OF MERCHANTABILITY, THE IMPLIED WARRANTY OF FITNESS FOR A PARTICULAR PURPOSE, AND ANY IMPLIED OR EXPRESSED WARRANTY ARISING FROM THE COURSE OF PERFORMANCE, COURSE OF DEALING OR USAGE OR TRADE. BIG DUTCHMAN SHALL HAVE NO OBLIGATION OR LIABILITY, WHETHER UNDER THIS WARRANTY OR OTHERWISE, FOR INCIDENTAL, CONSEQUENTIAL OR SPECIAL DAMAGES, LOST PROFITS, REVENUE OR OTHER INCOME, LOSS OF USE, DAMAGES FOR INJURY TO PERSONS OR PROPERTY, OR ANY OTHER DAMAGES.
14. Some states do not allow limitations on how long an implied warranty lasts or the exclusion or limitation of incidental or consequential damages, so the above limitations and exclusions may not apply to each purchaser. This warranty gives the purchaser specific legal rights, and the purchaser may have other rights that vary from state to state.



Big Dutchman.

Germany
P.O. Box 11 63 · D-49360 Vechta · Germany
tel +49 (0) 44 47 801 0 · fax +49 (0) 44 47 801 237
www.bigdutchman.com · big@bigdutchman.de

Asia-Pacific
No. 25 Jalan Pemberita (U1/49), Temasya Industrial Park
40150 Shah Alam · Selangor Darul Ehsan · Malaysia
tel +603 5569 2320 · fax +603 5569 5930
bdasia@bda.com.my

USA
P.O. Box 1017 · Holland, MI 49422-1017 · USA
tel +1 616 392 5981 · fax +1 616 392 6188
www.bigdutchman.com · bigd@bigdutchmanusa.com

Brazil
Caixa Postal 84 · Rua Victorio Milani, 125
Caxias do Sul, RS 95095-107 · Brasil
tel +55 (0) 54 226 2200 · fax +55 (0) 54 226 1424
www.bigdutchman.com.br · bigdutchmanbrasil@bigdutchman.com.br