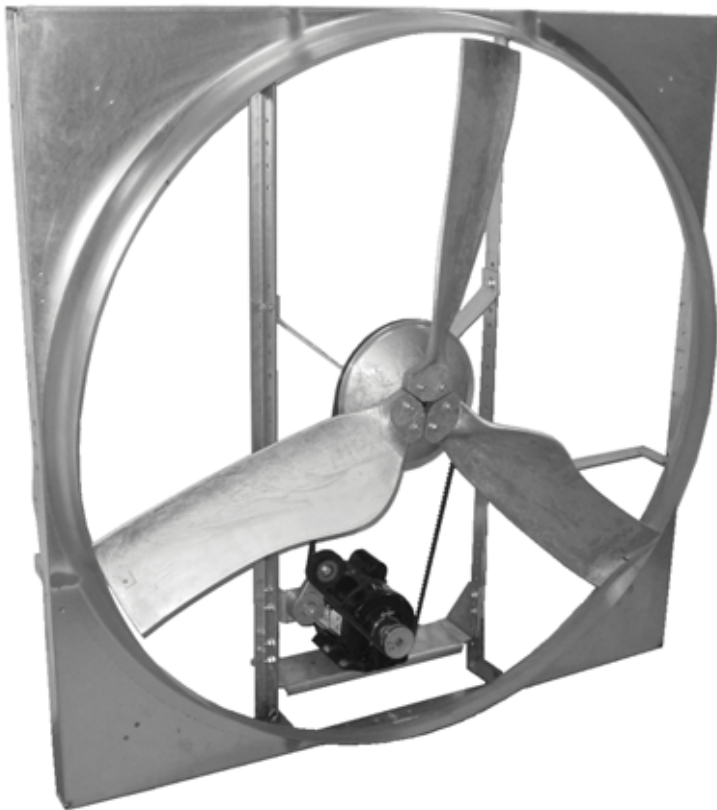


CONTROLLED ENVIRONMENT SYSTEMS FOR FARM BUILDINGS



FARM BUILDING VENTILATION

TYPE NBC FANS

FARM PRODUCTS DIVISION



MEMBER OF AMCA
AMERICAN COOLAIR CORPORATION
BOX 2300, JACKSONVILLE, FL 32203
Phone (904) 389-3646
Fax (904) 387-3449
E-MAIL – agfans@coolair.com
WEBSITE – www.coolair.com

Coolair® MEANS PERFORMANCE

WITH CAST ALUMINUM AIRFOIL NBC FANS



Now you can buy Coolair quality and our unique blade design at a savings to you and your customers. Type NBC fans are the answer to your ventilation requirements. We utilize our innovative drive assembly which applies power through V-belts directly to the propeller. Blade load is concentrated directly over the bearings for more economical operation and longer bearing life. Type NBC fans feature 3 cast aluminum airfoil blades secured to a cast aluminum hub. This unique blade assembly has been engineered to provide durability, corrosion resistance, and optimum efficiency.

Our use of quality materials and precise engineering techniques in constructing blade assemblies assures you of years of quiet, trouble-free service. When economy is measured in terms of cubic feet of air per minute per dollar invested, Coolair fans are today's best investment. Coolair uses only the most efficient ball bearing, totally enclosed motors available. Coolair provides recommendations on your specific needs for confinement rearing of poultry, hogs and other livestock. Contact us with your particulars.

AMERICAN COOLAIR CORPORATION certifies that the performance data for the type NBC fan models shown below (Item numbers 21-25) is based on tests conducted in an accredited laboratory in accordance with ANSI/AMCA Standard 210-99.

NBC FAN ONLY

CUBIC FEET PER MINUTE (CFM) AT STATIC PRESSURE														
ITEM NO.	FAN MODEL	FAN SIZE	MOTOR HP	FAN RPM	0" S.P.		.05" S.P.		.10" S.P.		.15" S.P.		.20" S.P.	
					CFM	WATT	CFM	WATT	CFM	WATT	CFM	WATT	CFM	WATT
21	NBC36J	36	1/2	760	11,647	22.0	10,737	20.1	9,778	18.4	8,658	16.5	7,245	14.3
22	NBC36K		3/4	885	13,562	15.9	12,785	14.9	11,985	13.9	11,130	13.0	10,154	12.0
23	NBC36L		1	1025	15,708	12.2	15,039	11.6	14,357	11.0	13,655	10.5	12,910	10.0
24	NBC52L	52	1	480	24,887	22.7	23,041	20.7	21,228	18.8	19,385	17.1	17,144	15.3
25	NBC52M		1 1/2	540	27,997	18.3	26,353	16.9	24,735	15.7	23,125	14.6	21,458	13.5

AMERICAN COOLAIR CORPORATION certifies that the performance data for the type NBC circulator fan models shown below (Item numbers 26-28) is based on tests conducted in an accredited laboratory in accordance with ANSI/AMCA Standard 230-99.

NBC CIRCULATOR FAN

ITEM NO.	FAN MODEL	FAN SIZE	MOTOR HP	FAN RPM	CCFM	CCFM/WATT	THRUST lbf	THRUST EFF. lbf/kW
26	NBC52L	52	1	481	33,598	28.6	24.7	21.0
27	NBC52M		1 1/2	553	38,890	22.8	33.3	19.5
28	NBC52N Δ		2	589	42,148	21.4	38.6	19.6

Δ - 3-Phase Motor

WARNING: If these ventilation products are used in agricultural structures to support life where failure of the ventilation could result in loss or injury, the user must provide an adequate back-up ventilation system and a failure alarm system. The user must accept the risk of such loss or injury from failure of the ventilation system.

PERFORMANCE RATINGS

The performance ratings listed below were obtained through testing by the Bioenvironmental and Structural Systems Lab (BESS Lab) at the University of Illinois. All fans were tested with a shutter and discharge guard, and some may also include an optional discharge cone as noted in the fan description. The fan housing was mounted flush to the test chamber face, as in an actual building installation. Power measurements were taken on the fan/motor combination and include motor efficiency and drive losses.



NBC FAN, SLOPE WALL HOUSING, INLET SHUTTER & GUARD

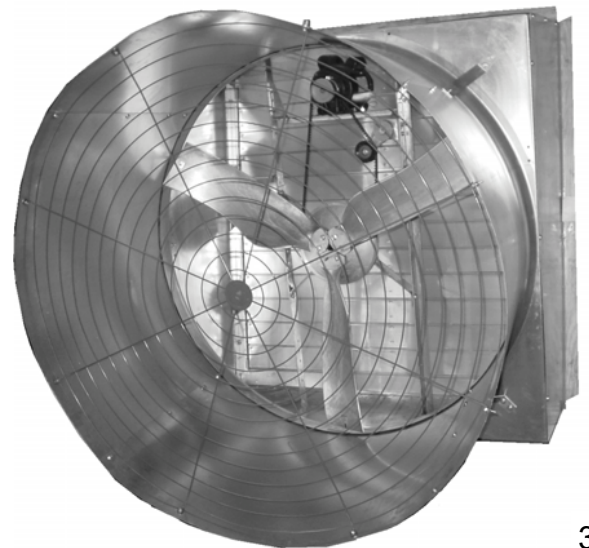
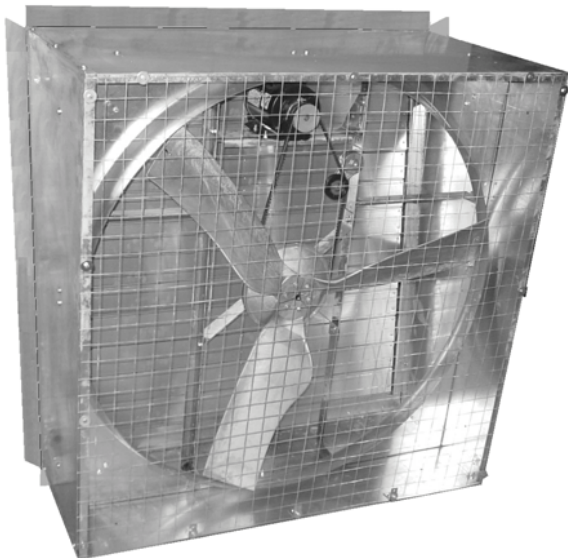
CUBIC FEET PER MINUTE (CFM) AT STATIC PRESSURE															
ITEM NO.	FAN MODEL	FAN SIZE	BESS LAB TEST #	MOTOR HP	FAN RPM @ .05"	0" S.P.		.05" S.P.		.10" S.P.		.15" S.P.		.20" S.P.	
						CFM	WATT	CFM	WATT	CFM	WATT	CFM	WATT	CFM	WATT
1	MNBC36J	36	06190	1/2	759	10,916	22.4	10,039	20.5	8,997	18.4	7,770	16.0	4,366	9.0
2	MNBC36K		06194	3/4	885	12,722	17.4	11,931	16.1	11,132	15.1	10,305	14.0	9,367	12.8
3	MNBC36L		06196	1	1025	14,762	13.1	14,027	12.5	13,357	11.9	12,665	11.4	11,903	10.7
4	MNBC36J Δ		06191	1/2	765	11,022	21.0	10,117	19.2	9,102	17.3	7,958	15.2	5,085	9.8
5	MNBC36K Δ		06192	3/4	885	12,735	16.6	11,945	15.6	11,115	14.5	10,234	13.6	9,347	12.4
6	MNBC36L Δ		06197	1	1022	14,628	13.2	13,962	12.5	13,289	11.9	12,580	11.3	11,827	10.6
7	MNBC52L	52	07271	1	481	22,931	20.4	21,589	19.0	19,801	17.2	17,993	15.7	15,157	13.4
8	MNBC52M		07272	1 1/2	551	26,151	16.1	24,810	15.1	13,453	14.2	22,075	13.3	20,325	12.3
9	MNBC52L Δ		07274	1	477	22,739	20.7	21,252	19.2	19,616	17.6	17,589	15.8	14,082	12.8
10	MNBC52M Δ		07273	1 1/2	555	26,529	16.8	25,152	15.5	23,695	14.3	22,300	13.6	20,673	12.7

NBC FAN, SLOPE WALL HOUSING, INLET SHUTTER, GUARD & CONE

11	MNBCC36J	36	06206	1/2	758	12,376	26.1	11,373	23.5	10,185	20.5	8,817	18.0	6,673	14.4
12	MNBCC36K		06201	3/4	886	14,346	19.7	13,572	18.3	12,665	15.4	11,624	15.4	10,479	14.0
13	MNBCC36L		06199	1	1025	16,560	15.2	15,943	14.5	15,188	13.7	14,289	12.8	13,385	11.9
14	MNBCC36J Δ		06204	1/2	765	12,343	23.6	11,416	21.3	10,178	18.3	8,908	16.6	7,046	13.5
15	MNBCC36K Δ		06203	3/4	886	14,283	19.7	13,586	18.0	12,568	16.5	11,551	15.0	10,383	13.2
16	MNBCC36L Δ		06198	1	1024	16,575	15.2	15,834	14.3	15,185	13.5	14,337	12.7	13,268	11.8
17	MNBCC52L	52	07254	1	482	24,867	23.0	23,053	20.7	21,285	18.9	18,943	16.6	16,134	14.2
18	MNBCC52M		07253	1 1/2	551	28,286	18.1	27,054	17.0	25,373	15.6	23,628	14.4	21,514	13.1
19	MNBCC52L Δ		07251	1	480	24,653	22.8	22,980	20.9	21,038	18.8	18,782	16.7	15,993	14.3
20	MNBCC52M Δ		07252	1 1/2	555	28,486	18.5	27,107	17.4	25,651	15.9	23,869	14.8	21,745	13.5

Δ — 3-Phase Motor

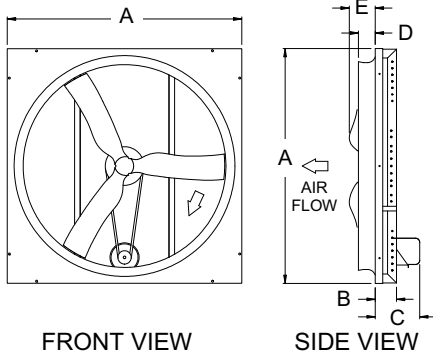
ALL SPECIFICATIONS SUBJECT TO CHANGE WITHOUT NOTICE



DIMENSIONS AND DRAWINGS

TYPE NBC FANS

FAN MODEL	A	B	C	D	E
NBC36	44	3 7/8	10 1/2	3 7/8	6 3/8
NBC52	56		12 1/8		7 3/4

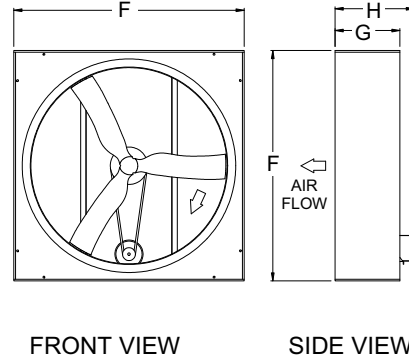


FRONT VIEW

SIDE VIEW

TYPE NBC FANS in WAFERWOOD

FAN MODEL	F	G	H
NBC36WW	44 7/8	11 7/8	15 1/2
NBC52WW	56 7/8	15 3/4	22 3/4

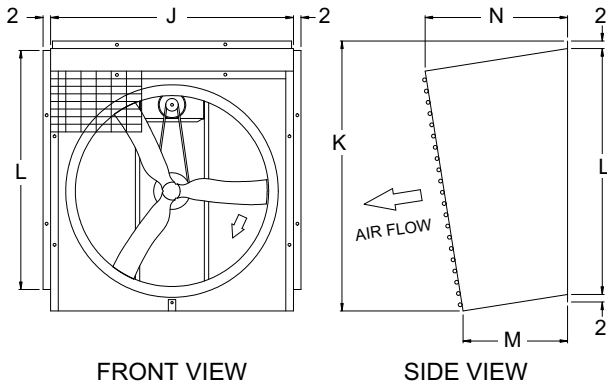


FRONT VIEW

SIDE VIEW

TYPE NBC FAN in SWH (SLOPE) WALL HOUSING

FAN MODEL	J	K	L	M	N
MNBC36	44 3/8	50 5/16	44 13/16	21 7/8	28 3/4
MNBC52	56 3/8	62 3/8	57	21 3/16	30

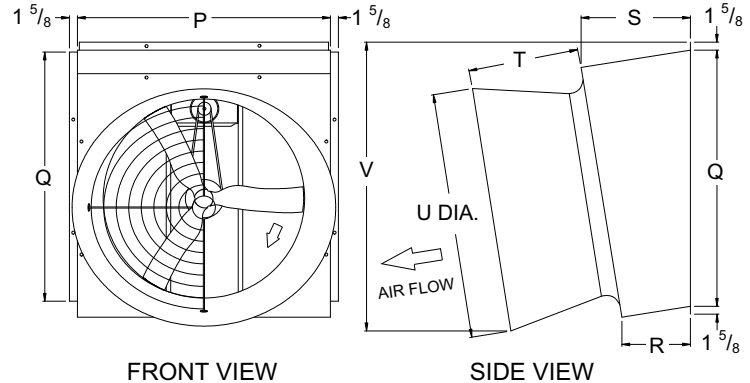


FRONT VIEW

SIDE VIEW

TYPE NBC FANS in SWC (SLOPE) WALL COLLAR WITH CONE

FAN MODEL	P	Q	R	S	T	U	V
MNBCC36	44 3/8	44 13/16	13 1/8	19 7/8	24 1/2	43 5/8	54 1/2
MNBCC52	56 3/8	57	12	20 3/8	35	64 3/4	70 13/16



FRONT VIEW

SIDE VIEW

Rough Opening:

Add $1/2$ " To 'J' or 'P' for Width
For 2" Wall: Add $3/4$ " To 'L' or 'Q' for Height

For 4" Wall: Add $1/4$ " To 'L' or 'Q' For Height
For 6" Wall: Add $1/2$ " To 'L' or 'Q' For Height

WARNING



DO NOT INSTALL FAN WITH MOVING PARTS WITHIN 8 FEET OF FLOOR OR GRADE LEVEL WITHOUT A GUARD THAT COMPLIES WITH OSHA REGULATIONS. **DO NOT** USE UNLESS ELECTRICAL WIRING COMPLIES WITH ALL APPLICABLE CODES. **DO NOT** WIRE WITHOUT PROVIDING FOR A POWER SOURCE DISCONNECT AT THE FAN ITSELF. **DO NOT** SERVICE EXCEPT BY A QUALIFIED MAINTENANCE TECHNICIAN AND ONLY AFTER DISCONNECTING THE POWER SOURCE. FAILURE TO OBSERVE THESE PRECAUTIONS CAN RESULT IN SERIOUS INJURY OR DEATH.

CAUTION

Limited Warranty

In the sale of its products American Coolair Corporation agrees to correct by repairs or replacement any defects in workmanship or material which may develop under proper or normal use during the period of one year from date of shipment from factory. Any product or part proving upon American Coolair's examination to be defective during limited warranty period will be replaced or repaired, at American Coolair's option, f.o.b. factory, without charge. Deterioration or wear caused by chemicals, abrasive action or excessive heat shall not constitute defects. Motors are guaranteed only to the extent of the manufacturer's warranty. American Coolair's limited warranty does not apply to any of its products or parts that have been subject to accidental damage, misuse by the user, unauthorized alterations, improper installation or electrical wiring, or lack of proper lubrication or other service requirements established by American Coolair. Repairs or replacements provided under the above terms shall constitute fulfillment of all American Coolair's obligations with respect to limited warranty. THE LIMITED WARRANTY STATED HEREIN IS IN LIEU OF ALL OTHER WARRANTIES, EXPRESS, STATUTORY OR IMPLIED, INCLUDING WITHOUT LIMITATION THAT OF MERCHANTABILITY AND FITNESS. No liability for reinstallation cost or for any special, indirect or consequential damages of any nature is assumed or shall be imposed upon American Coolair.



FARM PRODUCTS DIVISION

Form No. 910-28-3 (February, 2009)